

## ADVANCED BUS AIR CONDITIONING



### EZ-4 EVAPORATOR

THE A.C.T. **EZ-4** EVAPORATOR IS DESIGNED FOR FREE-BLOW CEILING MOUNT APPLICATIONS. WE HAVE MANUFACTURED THIS EVAPORATOR SPECIFICALLY FOR THE TRANSPORTATION INDUSTRY.

ITS ENHANCED PERFORMANCE, SERVICEABILITY, AND INSTALLATION EASE ARE THE RESULT OF MANY YEARS' EXPERIENCE IN THIS INDUSTRY.



#### ADVANCED FEATURES

- Unique Louver Design Enhances Airflow Throughout The Vehicle
- Pressure Switches Located At The Evaporator For Maximum Compressor Protection
- Internally Enhanced Rifled Copper Tubing Coils Increases System Performance
- 100 % O-Ring Connections For Maximum Leak Protection
- Return Air Thermostat Maximizes Passenger Comfort
- Low Profile Design For Added Headroom
- Super High Blower Speed As Standard Option
- Unitized Drain Pan Construction Eliminates Condensate Problems

#### OPTIONS

- Grey, White or Beige Cover
- Adjustable or Fixed Air Outlet Louvers
- 12 Volt or 24 Volt Motors

**2 YEAR  
LIMITED WARRANTY**

#### SPECIFICATIONS

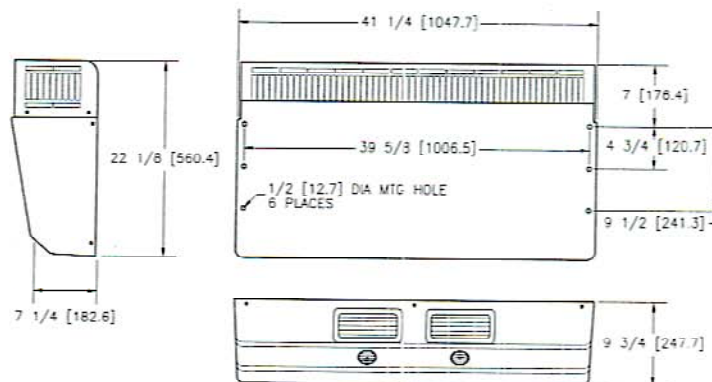
**COOLING CAPACITY: 43,000 Btu/Hr  
(10,836 kcal)**

**AIRFLOW: 800 cfm (1356 m<sup>3</sup>/hr)**

**AMPERAGE DRAW: 9 Amps @ 13.5 Volts  
4.5 Amps @ 27 Volts**

**WEIGHT: 61lbs.**

**FILTER: Cleanable Aluminum Mesh**



Ross Air Works  
www.rossairworks.com  
800-290-9798