



Receiver Dryers

Receiver Dryers	270
Receiver Dryer Specifications	280
O-Ring Type Dryers	280
Quick Disconnect Type Dryers	281
Push-On Type Dryers	282
Flare Type Dryers	282
Accumulators	282
In-Line Dryers	283
Mounting Brackets	284
Service Tips	284





Part No. 1910001

Accumulator



Diameter	N/A
Height	N/A
Fitting Size	M27 Male Insert O-Ring x M27 Female Insert O-Ring
Port	12mm Switch Port

Part No. 1910002

Accumulator



Diameter	3 1/2"
Height	8"
Fitting Size	M27 Male Insert O-Ring x M27 Female Insert O-Ring
Port	12mm Switch Port

Part No. 1910003

Accumulator



Diameter	3 1/2"
Height	8"
Fitting Size	3/4" Male Insert O-Ring x 3/4" Female Insert O-Ring
Port	1/4" Port

Part No. 1910004

Accumulator



Diameter	3 1/2"
Height	8"
Fitting Size	3/4" Male Insert O-Ring x 3/4" Female Insert O-Ring
Port	1/4" Switch Port

Part No. 1910005

Accumulator



Diameter	3 1/2"
Height	9"
Fitting Size	3/4" Male Insert O-Ring x 3/4" Female Insert O-Ring
Port	1/4" Port

Part No. 1910006

Accumulator



Diameter	3 1/2"
Height	8"
Fitting Size	3/4" Male Insert O-Ring x 3/4" Female O-Ring

Part No. 1910007

Accumulator



Diameter	3 1/2"
Height	9"
Fitting Size	3/4" Male Insert O-Ring x 3/4" Female O-Ring
Port	(2) 1/4" Ports

Part No. 1910008

Accumulator



Diameter	3 1/2"
Height	9"
Fitting Size	M27 Male Insert O-Ring x M27 Female Insert O-Ring
Port	12mm Switch Port
Desiccant Level	9

Part No. 1910009

Accumulator



Diameter	3 1/2"
Height	9"
Fitting Size	M27 Male Insert O-Ring x M27 Female Insert O-Ring
Port	12mm Switch Port, R-134a Quick Coupler Service Port

Part No. 1910010

Accumulator



Diameter	3 1/2"
Height	9"
Fitting Size	M27 Male Insert O-Ring x M27 Female Insert O-Ring
Port	12mm Switch Port, R-134a Quick Coupler Service Port

Part No. 1910011

Accumulator



Diameter	3 1/2"
Height	9"
Fitting Size	3/4" Male Insert O-Ring x 3/4" Female O-Ring
Port	(2) 1/4" Ports

Part No. 1910012

Accumulator



Diameter	3 1/2"
Height	9"
Fitting Size	M27 Male Insert O-Ring x M27 Female Insert O-Ring
Port	12mm Switch Port, R-134a Quick Coupler Service Port

Part No. 1910013**Accumulator**

Diameter	3 1/2"
Height	8"
Fitting Size	M27 Male Insert O-Ring

Part No. 1910014**Accumulator**

Diameter	3 1/2"
Height	9"
Fitting Size	3/4" Male Insert O-Ring x 3/4" Female O-Ring
Port	(2) 1/4" Ports

Part No. 1910015**Accumulator**

Diameter	3 1/2"
Height	9"
Fitting Size	3/4" Male Insert O-Ring x 3/4" Female O-Ring
Port	(2) 1/4" Ports

Part No. 1910016**In-Line**

Diameter	2 1/2"
Height	6 3/4"
Fitting Size	3/8" to 1/2" Male O-Ring

Part No. 1910017**Accumulator**

Diameter	3 1/2"
Height	9"
Fitting Size	3/4" Female O-Ring

Part No. 1910019**O-Ring***R-12/R-134a Compatible*

Diameter	3"
Height	8 1/2"
Fitting Size	3/8" Female O-Ring x 11/16" Female O-Ring

Part No. 1910020**Accumulator**

Diameter	3 1/2"
Height	9"
Fitting Size	3/4" Male Insert O-Ring x 3/4" Female O-Ring
Port	(2) 1/4" Ports

Part No. 1910021**Accumulator**

Diameter	3 1/2"
Height	9"
Fitting Size	3/4" Female O-Ring

Part No. 1910022**In-Line**

Diameter	2 1/2"
Height	6 1/2"
Fitting Size	M18 Inlet x M20 Outlet
Desiccant Level	9

Part No. 1910023**Accumulator**

Diameter	3 1/2"
Height	9"
Fitting Size	M27 Male Insert O-Ring x M27 Female Insert O-Ring
Port	12mm Switch Port

Part No. 1910024**Accumulator**

Diameter	3 1/2"
Height	9"
Fitting Size	3/4" Male Insert O-Ring x 3/4" Female O-Ring
Port	(2) 1/4" Ports

Part No. 1910025**Accumulator**

Diameter	3 1/2"
Height	9"
Fitting Size	3/4" Male Insert O-Ring x 3/4" Female O-Ring
Port	(2) 1/4" Ports

Part No. 1910026**Accumulator**

Diameter	3 1/2"
Height	8"
Fitting Size	M27 Male Insert O-Ring x M27 Female Insert O-Ring
Port	R-134a Quick Coupler Service Port

Part No. 1911001**Accumulator**

Diameter	3 1/2"
Height	8 1/2"
Fitting Size	5/8" Male Springlock x 3/4" Male Springlock
Port	12mm Switch Port, R-134a Quick Coupler Service Port

Part No. 1911002**Accumulator**

Diameter	3 1/2"
Height	10 1/2"
Fitting Size	5/8" Male Springlock
Port	12mm Switch Port



Part No. 1911003

Accumulator



Diameter 3 1/2"
Height 12"
Fitting Size 3/4" Male Springlock x 5/8" Male Springlock

Part No. 1911004

Accumulator



Diameter 2 1/2"
Height 9"
Fitting Size 3/8" Male Insert O-Ring

With Bracket

Part No. 1911006

Accumulator



Diameter 3 1/2"
Height 10 1/2"
Fitting Size 5/8" Male Insert O-Ring x 3/4" Female Springlock
Port (2) 1/4" Switch Ports

Part No. 1911007

Accumulator
R-12/R-134a Compatible



Diameter 3 1/2"
Height 10 5/8"
Fitting Size Ford Accumulator 3/4" Male Insert O-Ring x 5/8 Male Insert O-Ring
Port (2) 1/4" Ports

Part No. 1911008

O-Ring
R-12/R-134a Compatible



Diameter 3"
Height 10"
Fitting Size 3/8" Male Insert O-Ring
Port Top

With Bracket

Part No. 1911009

O-Ring



Diameter 2 1/2"
Height 8"
Fitting Size 3/8" Male Insert O-Ring

With Low Pressure Switch

Part No. 1911011

Accumulator



Diameter 3 1/2"
Height 10"
Fitting Size 3/4" Male Insert O-Ring x 5/8" Male Insert O-Ring
Port (2) 1/4" Ports

Part No. 1911012

Accumulator



Diameter 3 1/2"
Height 9 7/8"
Fitting Size 3/4" Male Insert O-Ring
Port (2) 1/4" Ports

Part No. 1911013

Accumulator



Diameter 3 1/2"
Height 8"
Fitting Size 5/8" Male Insert O-Ring x 3/4" Male Insert O-Ring
Port Charging Valve, Switch Port

Part No. 1911014

O-Ring
R-12/R-134a Compatible



Diameter 3"
Height 10"
Fitting Size 3/8" Male O-Ring

With Bracket

Part No. 1911015

O-Ring
R-12/R-134a Compatible



Diameter 2 1/2"
Height 9 3/4"
Fitting Size 3/8" Male Insert O-Ring

With Bracket

Part No. 1911016

Accumulator



Diameter 2 1/2"
Height 10"
Fitting Size 3/8" Male Insert O-Ring

With Bracket

Part No. 1911017**Push-On**
R-12/R-134a Compatible

Diameter	2 1/2"
Height	8"
Fitting Size	3/8" Push-On
Port	Side

Part No. 1912001**O-Ring**
R-12/R-134a Compatible

Diameter	3"
Height	8 1/4"
Fitting Size	3/8" Male O-Ring Inlet x 3/8" Female O-Ring Outlet
Fuse/Pressure	Pressure Relief Valve/Moisture Indicator in Cap
Desiccant Level	12

Part No. 1912002**Accumulator**
R-12/R-134a Compatible

Diameter	3"
Height	8 1/4"
Fitting Size	3/8" Male O-Ring
Port	Top
Glass	Top
Fuse/Pressure	Fuse Plug
Desiccant Level	12

Part No. 1912003**O-Ring**
R-12/R-134a Compatible

Diameter	3"
Height	8 1/4"
Fitting Size	3/8" Male O-Ring
Fuse/Pressure	Two Charge Ports/ Moisture Indicator

Part No. 1912004**Quick Disconnect**
R-134a Compatible

Diameter	3"
Height	10 1/4"
Fitting	Quick Disconnect
Fuse/Pressure	2 Gage Ports/ Moisture Indicator

Part No. 1912005**O-Ring**
R-12/R-134a Compatible

Diameter	3"
Height	10"
Fitting Size	3/8" Male O-Ring
Fuse/Pressure	Pressure Relief Valve & Moisture Indicator
Desiccant Level	16

Part No. 1912006**Quick Disconnect**
R-134a Compatible

Diameter	3"
Height	10 1/4"
Fitting	Quick Disconnect
Fuse/Pressure	Pressure Relief Valve/ 2 Gage Ports/ Moisture Indicator

Part No. 1912007**Quick Disconnect**
R-134a Compatible

Diameter	3"
Height	10 3/32"
Fitting	Quick Disconnect
Port	Top
Fuse/Pressure	2 M10 Gage Ports/ Moisture Indicator
Desiccant Level	16

Part No. 1912008**O-Ring**
R-134a Compatible

Diameter	3"
Height	10 3/32"
Fitting Size	3/8" Male O-Ring Inlet x 3/8" Female O-Ring Outlet
Fuse/Pressure	Moisture Indicator/Spring Loaded, (2) M10 Ports
Desiccant Level	16

High Capacity**Part No. 1912009****Quick Disconnect**
R-134a Compatible

Diameter	3"
Height	10"
Fitting Size	Quick Disconnect
Port	Top
Glass	Top
Fuse/Pressure	(2) M10 Ports, Moisture Indicator

Part No. 1912010**Pad Mount**
R-134a Compatible

Diameter	3"
Height	10 1/4"
Fitting Size	3/8" Pad Mount
Port	Side
Glass	Top
Fuse/Pressure	2 M10 Switch Ports, Moisture Indicator

Part No. 1912011**O-Ring**
R-134a Compatible

Diameter	3"
Height	10 3/16"
Fitting Size	Pad Mount Type
Port	(2) M10 x 1.25
Desiccant Level	16



Part No. 1913001



O-Ring
R-134a Compatible

Diameter	3"
Height	10"
Fitting Size	11/16" Inlet x 3/8" Outlet Female O-Ring
Fuse/Pressure	Pressure Relief
Desiccant Level	10



Part No. 1913003



O-Ring
R-134a Compatible

Diameter	3"
Height	10 1/2"
Fitting Size	11/16" Inlet x 3/8" Female O-Ring Outlet
Port	Top
Fuse/Pressure	3/16" Male Switch Port/Moisture Indicator



Part No. 1913004



O-Ring
R-12/R-134a Compatible

Diameter	3"
Height	10 3/32"
Fitting Size	11/16" Female O-Ring
Fuse/Pressure	High Pressure Relief Valve
Desiccant Level	10



Part No. 1913005



Quick Disconnect
R-12 Compatible

Diameter	2 1/2"
Height	10 7/8"
Fitting	Quick Disconnect
Fuse/Pressure	Fuse Plug/Gage Port



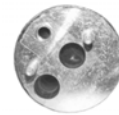
Part No. 1913006

Flare

Diameter	4"
Height	7"
Fitting Size	3/8" Male Flare
Fuse/Pressure	Fuse Plug
Glass	Side



Part No. 1913007



Accumulator
R-134a

Diameter	3 5/8"
Height	9 25/64"
Fitting Size	Pad Mount Type



Part No. 1914001



O-Ring
R-12/R-134a Compatible

Diameter	3"
Height	10"
Fitting Size	3/8" Male O-Ring
Glass	Side
Desiccant Level	12



Part No. 1914002



O-Ring
R-12/R-134a Compatible

Diameter	3"
Height	10"
Fitting Size	3/8" Male O-Ring
Fuse/Pressure	Fuse Plug/Gage Port/Moisture Indicator
Desiccant Level	12



Part No. 1914003



O-Ring

Diameter	3"
Height	10 3/32"
Fitting Size	3/8" Female O-Ring x 3/8" Male O-Ring
Glass	Side Sight
Fuse/Pressure	Moisture Indicator
Desiccant Level	12



Part No. 1914004



Quick Disconnect
R-134a Compatible

Diameter	3"
Height	10 1/8"
Fitting	Quick Disconnect
Glass	Side
Fuse/Pressure	Moisture Indicator



Part No. 1915001



O-Ring

Diameter	3"
Height	10 3/32"
Fitting Size	3/8" Male O-Ring
Fuse/Pressure	Pressure Relief/Gage Port/Spring/Moisture Indicator
Desiccant Level	12



Part No. 1915002



O-Ring
R-12/R-134a Compatible

Diameter	4"
Height	7 25/32"
Fitting Size	3/8" Male O-Ring Inlet x 3/8" Female O-Ring Outlet
Desiccant Level	12



Part No. 1915003**O-Ring**
R-12/R-134a Compatible

Diameter	3"
Height	9"
Fitting Size	3/8" Male O-Ring
Fuse/Pressure	Fuse Plug
Desiccant Level	8

Part No. 1915004**O-Ring**
R-134a Compatible

Diameter	3"
Height	9 1/4"
Fitting Size	3/8" Male O-Ring
Fuse/Pressure	Female Switch Port/Pressure Relief Valve/Moisture Indicator
Desiccant Level	12

Part No. 1915005**O-Ring**
R-12/R-134a Compatible

Diameter	2 3/4"
Height	10"
Fitting Size	3/8" Male O-Ring
Port	Side
Glass	Top
Fuse/Pressure	Fuse Plug

*High Capacity***Part No. 1915006****O-Ring**

Diameter	3"
Height	10 3/32"
Fitting Size	3/8" Male O-Ring
Fuse/Pressure	2 M10 Switch Ports/Pressure Relief Valve/Moisture Indicator
Desiccant Level	12

Part No. 1917001**O-Ring**
R-12/R-134a Compatible

Diameter	3"
Height	8 1/4"
Fitting Size	3/8" Male O-Ring
Port	Side
Glass	Top
Fuse/Pressure	2 Charging Ports

Part No. 1917002**O-Ring**
R-134a Compatible

Diameter	3"
Height	8 1/4"
Fitting Size	3/8" Male O-Ring
Fuse/Pressure	2 Metric Charging Ports/Pressure Relief Valve/Moisture Indicator

Part No. 1917003**Accumulator**

Diameter	31/2"
Height	9 5/64"
Fitting Size	1-1/16" Inlet & Outlet

Part No. 1917004**Accumulator**

Diameter	N/A
Height	N/A
Fitting Size	Universal Accumulator

Part No. 1918001**O-Ring**
R-12/R-134a Compatible

Diameter	3"
Height	9"
Fitting Size	3/8" Male O-Ring (Schrader Ports)
Port	Side
Glass	Top
Fuse/Pressure	Fuse Plug
Desiccant Level	4

Part No. 1918002**O-Ring**
R-12/R-134a Compatible

Diameter	3"
Height	9 1/4"
Fitting Size	3/8" Male O-Ring
Port	Top
Fuse/Pressure	Moisture Indicator
Desiccant Level	12

Part No. 1918003**O-Ring**
R-12/R-134a Compatible

Diameter	3"
Height	9 3/16"
Fitting Size	3/8" Male O-Ring
Fuse/Pressure	Moisture Indicator/HPRV
Desiccant Level	12

Part No. 1918004**O-Ring**
R-134a Compatible

Diameter	3"
Height	9 3/16"
Fitting Size	3/8" Male O-Ring
Fuse/Pressure	High Pressure Relief Valve/Moisture Indicator
Desiccant Level	16



Part No. 1918005



O-Ring
R-134a Compatible

Diameter	3"
Height	9 3/16"
Fitting Size	3/8" Male O-Ring
Fuse/Pressure	High Pressure Relief Valve/Moisture Indicator

Part No. 1919001



O-Ring
R-12/R-134a Compatible

Diameter	3"
Height	7 7/8"
Fitting Size	3/8" Male O-Ring
Port	Side
Glass	Top
Fuse/Pressure	Fuse Plug

Part No. 1919002



O-Ring

Diameter	3"
Height	10"
Fitting Size	3/8" Male O-Ring
Port	Side
Glass	Top
Fuse/Pressure	Fuse Plug

High Capacity

Part No. 1975001



O-Ring

Diameter	3"
Height	6 13/64"
Fitting Size	3/8" Male O-Ring
Fuse/Pressure	Fuse Plug
Glass	Top

Part No. 1975002



O-Ring

Diameter	4"
Height	7"
Fitting Size	3/8" Male O-Ring
Fuse/Pressure	Fuse Plug
Glass	Top

Part No. 1975003



In-Line

R-12/R-134a Compatible

Diameter	2 1/2"
Height	7 1/2"
Fitting Size	3/8" Male O-Ring x 3/8" Female O-Ring
Fuse/Pressure	Fuse Plug

Part No. 1975004



O-Ring

Diameter	2 1/2"
Height	8"
Fitting Size	3/8" Male O-Ring x 3/8" Male O-Ring
Fuse/Pressure	Fuse Plug

Part No. 1999001



Accumulator

Diameter	3 1/2"
Height	8"
Fitting Size	3/4" Male Insert O-Ring x 3/4" Female Insert O-Ring
Port	1/4" Switch Port

Part No. 1999002



In-Line

Diameter	2 1/2"
Height	6 1/2"
Fitting Size	3/8" Male Insert O-Ring x 1/2" Male Insert O-Ring

Part No. 1999003



O-Ring
R-12/R-134a Compatible

Diameter	3"
Height	10"
Fitting Size	3/8" Male Insert O-Ring
Glass	Top
Port	Female Switch Port
Fuse/Pressure	Moisture Indicator & Pressure Relief Valve
Desiccant Level	12

Part No. 1999004



Accumulator

Diameter	3 1/2"
Height	8"
Fitting Size	5/8" Male Insert O-Ring
Port	12mm Switch Port, R-134a Quick Coupler Service Port

Part No. 1999005



O-Ring
R-12 Compatible

Diameter	2 1/2"
Height	8"
Fitting Size	3/8" Male O-Ring
Port	Top
Fuse/Pressure	Fuse Plug/Low Pressure Switch
Desiccant Level	6

Part No. 1999006



O-Ring
R-12/R-134a Compatible



Diameter	3"
Height	6"
Fitting Size	3/8" Male Insert O-Ring
Port	Side
Glass	Top
Fuse/Pressure	Fuse Plug

High Capacity

Part No. 1999007



O-Ring
R-12/R-134a Compatible



Diameter	2 3/4"
Height	10"
Fitting Size	3/8" Male O-Ring
Glass	Top
Fuse/Pressure	High Pressure Relief Valve

With Low Pressure Switch

Part No. 1999008



O-Ring
R-134a Compatible



Diameter	2 1/2"
Height	8"
Fitting Size	3/8" Male O-Ring
Glass	Top
Fuse/Pressure	Fuse Plug
Desiccant Level	6

Part No. 1999009



O-Ring
R-12/R-134a Compatible



Diameter	3"
Height	8 1/4"
Fitting Size	3/8" Male O-Ring
Port	Top
Glass	Side
Fuse/Pressure	Fuse Plug
Desiccant Level	12

Part No. 1999010



O-Ring
R-12/R-134a Compatible



Diameter	2 3/4"
Height	10"
Fitting Size	3/8" Male O-Ring
Port	Top
Glass	Side
Fuse/Pressure	Fuse Plug

Part No. 1999011



O-Ring
R-12/R-134a Compatible



Diameter	2 3/4"
Height	10"
Fitting Size	3/8" Male O-Ring (Schrader Port)
Port	Top
Glass	Side
Fuse/Pressure	Fuse Plug

High Capacity

Part No. 1999012



O-Ring
R-12/R-134a Compatible



Diameter	3"
Height	8 1/4"
Fitting Size	3/8" Male O-Ring
Desiccant Level	12

Part No. 1999013



O-Ring
R-12/R-134a Compatible



Diameter	3"
Height	11"
Fitting Size	3/8" Male Insert O-Ring
Fuse/Pressure	Moisture Indicator

With Bracket

Part No. 1999014



Accumulator
R-134a Compatible

Diameter	3 1/2"
Height	7 1/2"
Fitting Size	5/8" Female Springlock
Port	Switch Port, Service Port

Part No. 1999015

In-Line



Diameter	4"
Height	7 1/2"
Fitting Size	5/8"-18 Male & Female O-Ring
Glass	2 Side

John Deere
RE49169A

Part No. 1999016

Accumulator
R-12/R-134a Compatible



Diameter	3"
Height	6"
Fitting Size	3/8" Male O-Ring
Port	Side
Glass	Top
Fuse/Pressure	Fuse Plug

High Capacity

Part No. 1999017



O-Ring
R-134a Compatible



Diameter	3"
Height	10"
Fitting Size	3/8" Male O-Ring Inlet x 3/8" Female O-Ring Outlet



Part No. 1999018



O-Ring
R-134a Compatible

Diameter	3"
Height	10 1/8"
Fitting Size	3/8" Male O-Ring
Port	Top
Glass	Side
Fuse/Pressure	Fuse Plug/Moisture Indicator
Desiccant Level	12



Part No. 1999019



O-Ring
R-12 Compatible

Diameter	3"
Height	8 1/4"
Fitting Size	3/8" Male O-Ring Outlet x 3/8" Female O-Ring Outlet
Fuse/Pressure	Moisture Indicator/2 Male Switch Ports/Pressure Relief Valve
Desiccant Level	12



Part No. 1999021

O-Ring

Diameter	2 1/2"
Height	7 1/2"
Fitting Size	3/8" Male Insert O-Ring



With Bracket

Part No. 1999022



O-Ring
R-12/R-134a Compatible

Diameter	2 3/4"
Height	10"
Fitting Size	3/8" Male O-Ring
Port	Side
Fuse/Pressure	Fuse Plug



With Trinary Switch

Part No. 1999024

Flare
R-134a Compatible

Diameter	1 3/4"
Height	20 1/4"
Fitting Size	3/8" Male Flare
Glass	Side



Part No. 1999029



O-Ring
R-134a Compatible

Diameter	2 1/2"
Height	8"
Fitting Size	3/8" Male Flare
Desiccant Level	4



Part No. 1999030

Flare
R-12 Compatible

Diameter	3"
Height	6"
Fitting Size	3/8" Male Flare



Part No. 1999031

O-Ring
R-12/R-134a Compatible

Diameter	4"
Height	5"
Fitting Size	3/8" Male O-Ring
Fuse/Pressure	Fuse Plug
Desiccant Level	6



Part No. 1999032

O-Ring

Diameter	3"
Height	7 1/2"
Fitting Size	3/8" Male O-Ring
Fuse/Pressure	Pressure Relief Valve
Glass	Top



With Low Pressure Switch

Part No. 1999033

O-Ring
R-12 Only

Diameter	2 1/2"
Height	6"
Fitting Size	3/8" Male Flare
Fuse/Pressure	Fuse Plug
Glass	Top



Part No. 1999034

O-Ring
R-12/R-134a Compatible

Diameter	2 3/4"
Height	10"
Fitting Size	3/8" Male O-Ring
Port	Side
Glass	Top
Fuse/Pressure	Fuse Plug



Part No. 1999035

O-Ring
R-12/R-134a Compatible

Diameter	3"
Height	8 13/64"
Fitting Size	7/16" Inlet 3/8" Outlet Female O-Ring
Desiccant Level	6

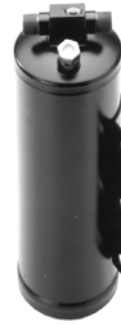


Part No. 1999036**Push-On**

Diameter	2 1/2"
Height	8"
Fitting Size	3/8" Push-On
Glass	Top
Desiccant Level	4

Part No. 1999037**O-Ring***R-12 Compatible*

Diameter	3"
Height	6 5/16"
Fitting Size	3/8" Male O-Ring
Fuse/Pressure	High Pressure Relief Valve/Low Pressure Switch
Desiccant Level	4

Part No. 1999038**O-Ring***R-12/R-134a Compatible*

Diameter	3"
Height	9 45/64"
Fitting Size	3/8" Male O-Ring
Fuse/Pressure	Moisture Indicator
Glass	Top
Compression Spring	

*With Bracket***Part No. 1999039****Quick Disconnect***R-134a Only*

Diameter	3"
Height	10 3/32"
Fitting Size	Quick Disconnect
Fuse/Pressure	Gage Port/Pressure Relief Valve/Moisture Indicator
Glass	Top
Compression Spring	

Part No. 1999040**O-Ring**

Diameter	2 1/2"
Height	7 19/32"
Fitting Size	3/8" Male O-Ring
Fuse/Pressure	Gage Port
Glass	Top

*With Bracket***Part No. 1999041****In-Line**

Diameter	2 1/2"
Height	9"
Fitting Size	Spin On 7/8"-20 UNF-28 Thread
16mm R-134a Quick Coupling	

Part No. 1999042**In-Line**

Diameter	2 1/2"
Height	9"
Fitting Size	Spin On 7/8"-20 UNF-28 Thread
16mm R-134a Quick Coupling	

Part No. 1999043**In-Line/Quick Disconnect**

Diameter	2 1/2"
Height	9 39/64"
Fitting	Quick Disconnect
Desiccant Level	16

Part No. 1999046**Tube "O"***R-134a Compatible*

Diameter	3 7/32"
Height	11 9/32"
Fitting	3/8" Tube "O" Female O-ring
Desiccant Level	12
Spring Loaded	

Receiver Dryer Specifications

O-Ring Type Dryers

RECEIVER DRYERS



Dia	Height	Fitting Size	Fuse/Pressure	Port	Glass	High Cap.	R12	R134a	Both	Desiccant Level	Part No.
3"	8 1/2"	3/8" Female O-Ring x 11/16" Female O-Ring							●		1910019
3 1/2"	9 1/2"	5/8" Male Insert O-Ring x 3/4" Male Insert O-Ring	(2) 12mm Switch Ports								1911005
3"	8"	3/8" Male O-Ring		Top					●		1911008
2 1/2"	8"	3/8" Male O-Ring							●		1911009
3"	10"	3/8" Male O-Ring							●		1911014
2 1/2"	9 3/4"	3/8" Male O-Ring							●		1911015
3"	8 1/4"	3/8" Male O-Ring	Pressure Relief Valve/ Moisture Indicator						●	12	1912001
3"	8 1/4"	3/8" Male O-Ring	Fuse Plug	Top	Top				●	12	1912002
3"	8 1/4"	3/8" Male O-Ring	Two Charge Ports/ Moisture Indicator						●		1912003
3"	10"	3/8" Male O-Ring	Pressure Relief Valve/ Moisture Indicator						●	16	1912005
3"	10 3/32"	3/8" Male O-Ring Inlet x 3/8" Female O-ring Outlet	(2) M10 Ports/Spring Loaded			●		●		16	1912008
3"	10"	Quick Disconnect	(2) M10 Ports/Moisture Indicator	Top	Top			●			1912009
3"	10 1/4"	3/8" Pad Mount	(2) M10 Switch Ports/Fuse Plug/Moisture Indicator	Side	Top			●			1912010
3"	10 3/16"	Pad Mount	(2) M10 Switch Ports/		Top			∞		16	1912011
3"	10"	11/16" Inlet x 3/8" Outlet Female O-Ring	Pressure Relief						●	10	1913001
3"	10 1/2"	11/16" Inlet x 3/8" Female O-Ring Outlet	3/16" Male Switch Port/ Moisture Indicator	Top				●			1913003
3"	10 3/32"	11/16 Female O-Ring	High Pressure Relief Valve						●	10	1913004
3"	10"	3/8" Male O-Ring			Side				●	12	1914001
3"	10"	3/8" Male O-Ring	Fuse Plug/Gage Port/ Moisture Indicator						●	12	1914002
3"	10 3/32"	3/8" Female O-Ring/ 3/8" Male O-Ring	Side Sight Glass/ Moisture Indicator							12	1914003
3"	10 3/32"	3/8" Male O-Ring	Pressure Relief/Gage Port/ Spring/Moisture Indicator							12	1915001
4"	7 25/32"	3/8" Male O-Ring Inlet x 3/8" Female O-ring Outlet							●	12	1915002
3"	9"	3/8" Male O-Ring	Fuse Plug						●	8	1915003
3"	9 1/4"	3/8" Male O-Ring (4)	Female Switch Port/ Pressure Relief Valve/ Moisture Indicator					●		12	1915004
2 3/4"	10"	3/8" Male O-Ring	Fuse Plug	Side	Top	●			●		1915005
3"	10 3/32"	3/8" Male O-Ring	(2) M10 Switch Ports/ Pressure Relief Valve/ Moisture Indicator							12	1915006
3"	8 1/4"	3/8" Male O-Ring	2 Charging Ports	Side	Top				●		1917001
3"	9"	3/8" Male O-Ring (Schradler Port)	Fuse Plug	Side	Top				●	4	1918001
3"	9 1/4"	3/8" Male O-Ring	Moisture Indicator	Top					●	12	1918002
3"	9 1/4"	3/8" Male O-Ring	Pressure Relief Valve/ Moisture Indicator						●	12	1918003
3"	9 3/16"	3/8" Male O-Ring	High Pressure Relief Valve/ Moisture Indicator					●		16	1918004
3"	9 3/16"	3/8" Male O-Ring	High Pressure Relief Valve/ Moisture Indicator					●			1918005
3"	7 7/8"	3/8" Male O-Ring	Fuse Plug	Side	Top				●		1919001
3"	10"	3/8" Male O-Ring	Fuse Plug	Side	Top	●					1919002
3"	6 13/64"	3/8" Male O-Ring	Fuse Plug		Top						19175001
4"	7"	3/8" Male O-Ring	Fuse Plug		Top						19175002
2 1/2"	8"	3/8" Male O-Ring	Fuse Plug							6	19175004

O-Ring Type Dryers (continued)

Dia	Height	Fitting Size	Fuse/Pressure	Port	Glass	High Cap.	R12	R134a	Both	Desiccant Level	Part No.
2 1/2"	6 1/2"	3/8" Male Insert O-Ring x 1/2" Male Insert O-Ring									1999002
3 1/4"	10 29/32"	3/8" Male O-Ring	Female Switch Port/ Moisture Indicator/High Pressure Relief Valve						●	12	1999003
2 1/2"	8"	3/8" Male O-Ring	Fuse Plug/Low Pressure Switch	Top			●			6	1999005
3"	6"	3/8" Male O-Ring	Fuse Plug	Side	Top	●			●		1999006
2 3/4"	10"	3/8" Male O-Ring	High Pressure Relief Valve/ Low Pressure Switch		Top				●		1999007
2 1/2"	8"	3/8" Male O-Ring	Fuse Plug		Top			●		6	1999008
3"	8 1/4"	3/8" Male O-Ring	Fuse Plug	Top	Side				●	12	1999009
2 3/4"	10"	3/8" Male O-Ring	Fuse Plug	Top	Side				●		1999010
2 3/4"	10"	3/8" Male O-Ring (Schrader Port)	Fuse Plug	Top	Side	●			●		1999011
3"	8 1/4"	3/8" Male O-Ring							●	12	1999012
3"	10 3/25"	3/8" Male O-Ring	Moisture Indicator						●		1999013
3"	6"	3/8" Male O-Ring	Fuse Plug	Side	Top				●		1999016
3"	10"	3/8" Male O-Ring x 3/8" Female O-Ring w/2 Male Switch Ports	Moisture Indicator, Spring-Loaded Desiccant					●			1999017
3"	10 1/8"	3/8" Male O-Ring	Fuse Plug/Moisture Indicator	Top	Side					12	1999018
3"	8 1/8"	3/8" Male Flare x 3/8" Male O-Ring	Moisture Indicator/2 Male Switch Ports/Pressure Relief Valve				●			12	1999019
2 1/2"	7 1/2"	3/8" Male Insert O-Ring									1999021
2 3/4"	10"	3/8" Male O-Ring	Fuse Plug	Side					●		1999022
2 1/2"	8"	1/2" Male Flare								4	1999029
4"	5"	3/8" Male ORing	Fuse Plug		Top				●	6	1999031
3"	7 1/2"	3/8" Male O-Ring	Pressure Relief Valve		Top						1999032
2 1/2"	6"	3/8" Male Flare	Fuse Plug		Top		●				1999033
2 3/4"	10"	3/8" Male O-Ring	Fuse Plug	Side	Top				●		1999034
3"	8 1/2"	7/16" Inlet x 3/8" Outlet Female O-Ring							●	6	1999035
3"	6 5/16"	3/8" Male O-Ring	High Pressure Relief Valve/ Low Pressure Switch				●			4	1999037
3"	9 45/64"	3/8" Male O-Ring	Moisture Indicator		Top				●		1999038
3"	10 3/32"	Quick Disconnect	Gage Port/Pressure Relief Valve/Moisture Indicator		Top			●			1999039
2 1/2"	7 19/32"	3/8" Male O-Ring	Gage Port		Top						1999040
2 1/2"	9"	Spin On 7/8"-20 UNF-28 Thread	16mm R-134a Quick Coupling					●			1999041
2 1/2"	9"	Spin On 7/8"-20 UNF-28 Thread	16mm R-134a Quick Coupling					●			1999042
3 7/32"	11 9/32"	3/8" Tube "O" Female O-ring						●		12	1999046

Quick Disconnect Type Dryers

Dia.	Height	Fuse/Pressure	Port	Glass	R12	R134a	Both	Desiccant Level	Part No.
3"	10 1/4"	2 Gage Ports/Moisture Indicator				●			1912004
3"	10 1/4"	Pressure Relief Valve/2 Gage Ports/Moisture Indicator		Top		●			1912006
3"	10 3/32"	2 M10 Gage Ports/Moisture Indicator	Top			●		16	1912007
2 1/2"	10 7/8"	Fuse Plug/Gage Port			●				1913005
3"	10 1/8"	Moisture Indicator		Side		●			1914004
3"	10 1/8"	Moisture Indicator		Side		●		12	1919003





Push-On Type Dryers

Dia.	Height	Fitting Size	Port	Glass	R12	R134a	Both	Desiccant Level	Part No.
2 1/2"	8"	3/8" Push-On	Side				●		1911017

Flare Type Dryers

Dia.	Height	Fitting Size	Port	Glass	R12	R134a	Both	Desiccant Level	Part No.
4"	7"	3/8" Male Flare/Fuse Plug		Side					1913006
1 3/4"	20 1/4"	3/8" Male Flare		Side		●			1999024
2 1/2"	8"	3/8" Male Flare				●		4	1999029
3"	6 1/2"	3/8" Male Flare			●				1999030

Accumulators

Dia.	Height	Fitting Size & Fuse/Pressure	Port	Glass	R12	R134a	Both	Desiccant Level	Part No.
N/A	N/A	M27 Male Insert O-Ring x M27 Female Insert O-Ring/ 12mm Switch Port							1910001
3 1/2"	8"	M27 Male Insert O-Ring x M27 Female Insert O-Ring /12mm Switch Port							1910002
3 1/2"	8"	3/4" Male Insert O-Ring x 3/4" Female Insert O-Ring/ 1/4" Switch Port							1910003
3 1/2"	8"	3/4" Male Insert O-Ring x 3/4" Female Insert O-Ring/ 1/4" Switch Port							1910004
3 1/2"	9"	3/4" Male Insert O-Ring x 3/4" Female Insert O-Ring/ 1/4" Switch Port							1910005
3 1/2"	12"	3/4" Male Insert O-Ring x 3/4" Female Insert O-Ring							1910006
3 1/2"	9"	3/4" Male Insert O-Ring x 3/4" Female Insert O-Ring/ (2) 1/4" Switch Port							1910007
3 1/2"	9"	M27 Male Insert O-Ring x M27 Female Insert O-Ring Outlet/12mm Switch Port						9	1910008
3 1/2"	9"	M27 Male Insert O-Ring x M27 Female Insert O-Ring Outlet/12mm Switch Port/R-134a Quick Coupler Service Port							1910009
3 1/2"	9"	M27 Male Insert O-Ring x M27 Female Insert O-Ring Outlet/12mm Switch Port/R-134a Quick Coupler Service Port							1910010
3 1/2"	9"	3/4" Male Insert O-Ring x 3/4" Female Insert O-Ring/ (2) 1/4" Switch Port							1910011
3 1/2"	9"	M27 Male Insert O-Ring x M27 Female Insert O-Ring Outlet/12mm Switch Port/R-134a Quick Coupler Service Port							1910012
3 1/2"	8"	M27 Male Insert O-Ring							1910013
3 1/2"	9"	3/4" Male Insert O-Ring x 3/4" Female Insert O-Ring/ (2) 1/4" Switch Port							1910014
3 1/2"	9"	3/4" Male Insert O-Ring x 3/4" Female Insert O-Ring/ (2) 1/4" Switch Port							1910015
3 1/2"	9"	3/4" Female O-Ring							1910017
3 1/2"	9"	3/4" Male Insert O-Ring x 3/4" Female O-Ring/(2) 1/4" Ports							1910020
3 1/2"	9"	3/4" Female O-Ring							1910021
3 1/2"	9"	M27 Male Insert O-Ring x M27 Female Insert O-Ring/ 12mm Switch Port							1910023
3 1/2"	9"	3/4" Male Insert O-Ring x 3/4" Female O-Ring/(2) 1/4" Ports							1910024
3 1/2"	9"	3/4" Male Insert O-Ring x 3/4" Female O-Ring/(2) 1/4" Ports							1910025
3 1/2"	8"	M27 Male Insert O-Ring x M27 Female Insert O-Ring/ R-134a Quick Coupler Service Port							1910026
3 1/2"	8 1/2"	5/8" Male Springlock x 3/4" Male Springlock/ 12mm Switch Port/R-134a Quick Coupler Service Port							1911001
3 1/2"	10 1/2"	5/8" Male Springlock/12mm Switch Port							1911002
3 1/2"	N/A	No. 12 x 3/4" Male Spring Lock				●			1911003

Accumulators (continued)


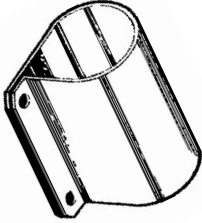
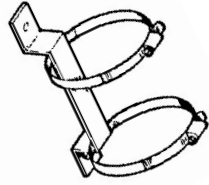
Dia.	Height	Fitting Size & Fuse/Pressure	Port	Glass	R12	R134a	Both	Desiccant Level	Part No.
2 1/2"	9"	3/8" Male O-Ring							1911004
3 1/2"	10 1/2"	5/8" Male Insert O-Ring x 3/4" Female Springlock/ (2) 1/4" Switch Ports							1911006
3 1/2"	10 5/8"	3/4" Male Inlet O-Ring x 1-1/16" Male Inlet O-Ring/ (2) 1/4" Ports					●		1911007
3 1/2"	9 1/2"	5/8" Male Insert O-Ring x 3/4" Male Insert O-Ring/ (2) 12mm Switch Ports					●		1911010
3 1/2"	10"	3/4" Male Insert O-Ring x 5/8" Male Insert O-Ring/ (2) 1/4" Ports							1911011
3 1/2"	9 7/8"	3/4" Male Insert O-Ring							1911012
3 1/2"	8"	5/8" Male Insert O-Ring x 3/4" Male Insert O-Ring/Charging Valve/Switch Ports							1911013
2 1/2"	10"	3/8" Male Insert O-Ring							1911016
3 5/8"	9 25/64"	Pad Mount				↔			1913007
3 1/2"	9 5/64"	1 1/16" Inlet & Outlet							1917003
		Universal Accumulator							1917004
3 1/2"	8"	3/4" Male Insert O-Ring x 3/4" Female Insert O-Ring/ 1/4" Switch Port							1999001
3 1/2"	8"	5/8" Male Insert O-Ring/12mm Switch Port/ R-134a Quick Coupler Service Port							1999004
3 1/2"	N/A	3/4" x 3/4" Female				●			1999014

In-Line Dryers

Dia.	Height	Fitting Size & Fuse/Pressure	Port	Glass	R12	R134a	Both	Desiccant Level	Part No.
2 1/2"	6 19/32"	3/8" Male O-Ring x 3/8" Male O-Ring				●			1910016
2 1/2"	6 1/2"	M18 Inlet x M20 Outlet						9	1910022
4"	7 49/64"	3/8" Male O-Ring x 3/8" Female O-Ring						12	1915002
2 1/2"	7 1/2"	3/8" Male O-Ring x 3/8" Female O-Ring/Fuse Plug					●		1975003
2 1/2"	6 1/2"	3/8" to 1/2" Male O-Ring							1999002
4"	7 1/2"	5/8"-18 Male & Female O-Ring		2 Side					1999015
2 1/2"	9 19/32"	Quick Disconnect						16	1999043



Receiver Dryer Mounting Brackets

Part No. 1999200	Part No. 1999201	Part No. 1999202
 <p>For heavy duty applications (accepts 3" diameter dryers)</p>	 <p>For medium to heavy duty applications (accepts 2 1/2" diameter dryers)</p>	 <p>Economical model for light duty applications (accepts 2 1/4" - 3" diameter dryers)</p>

Receiver Dryer Service Tips

The Receiver Dryer stores excess refrigerants, filters out contaminants from the HVAC system, and removes moisture to protect the system from internal corrosion.

Service Tips on Receiver Dryers	
Placement	Placement should be on the high-pressure side and warm to touch during operation.
Visually Inspect for Leaks	Visually inspect fittings; note any oil seepage. This may indicate a leak.
Receiver Dryer Replacement	Upon opening the system always replace the receiver dryer with a new, original OEM part.
Fittings	Never leave the fittings uncovered prior to installation.
HVAC System Servicing	The receiver dryer should be the last component replaced during service of the HVAC system.

