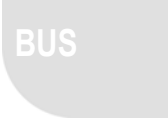


Switches

Relays & Resistors	286
Relays	286
Resistors	288
Electrical Switches	289
Toggle Switches	289
Air Toggle Switch	290
Rocker Switches	290
Rotary Switches	291
Push Button	292
Clutch & Micro	292
Air Cylinders	293
Electrical Accessories	293
Circuit Breakers	293
Wire Harnesses	294
Miscellaneous Electrical Accessories	294
Pressure Switches	295
High Pressure Switches	295
Low Pressure Switches	296
Low Pressure Cutoff Switch	298
Heat Sensing Switch	298
Miscellaneous Pressure Switches	298
Cycling Switches	299
Binary Pressure Switches	300
Trinary Pressure Switches	300
Index Sensors & Controls	301
Thermostatic Switches	309
Cable Controlled Thermostat	309
Preset Thermostat	309
Rotary Thermostat	310

Control Knobs 311



BUS

Relays

SWITCHES

<p>Part No. 2010001 5 Terminal Relay</p>  <p>Bottom View</p>	<p>Part No. 2010002 4 Terminal Relay</p> 	<p>Part No. 2010003 5 Terminal Relay with Diode</p> 	<p>Part No. 2010009 5 Terminal Relay</p>  <p>Bottom View</p>
<p>Part No. 2010010 5 Terminal Relay</p> 	<p>Part No. 2011001 5 Terminal Relay</p>  <p>Bottom View</p>	<p>Part No. 2012001 5 Terminal Relay</p> 	<p>Part No. 2012003 5 Terminal Relay</p>  <p>Bottom View</p>
<p>Part No. 2012004</p>  <p>Bottom View</p>	<p>Part No. 2013001 4 Terminal Relay</p> 	<p>Part No. 2013002 5 Terminal Relay</p> 	<p>Part No. 2015001 3 Terminal, Universal</p>  <p>Bottom View</p>
<p>Part No. 2075004</p>  <p>Bottom View</p>	<p>Part No. 2099001</p>  <p>Bottom View</p>	<p>Part No. 2099002 5 Terminal 12V Relay</p>  <p>Bottom View</p>	<p>Part No. 2099003 12 V Relay, 30A</p>  <p>Bosch OE</p>

Relays (continued)

<p>Part No. 2099008 Relay Wire Harness</p> 	<p>Part No. 2099009 24V Relay</p>  <p>Bottom View</p>	<p>Part No. 2099010 12V Relay, 20 Amp, 5 Terminal</p> 	<p>Part No. 2099011 4 Terminal Relay</p> 
<p>Part No. 2099012 12V Relay, 4 Terminal</p>  <p>Bottom View</p>	<p>Part No. 2099013 12V Relay, 30A</p> <p>Bosch Aftermarket Replacement</p>  <p>Bottom View</p>		

SWITCHES



Relay Specifications


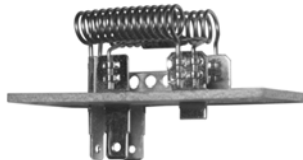

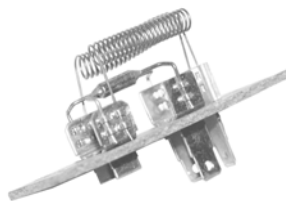

Volts	Amps	Pole/Throw	NO/NC	Terminals	Notes	Part No.
12	20/40	SPDT		5	Weatherproof/ W/ Resistor	2010001
12		SPDT		5	Bracket/Diode	2010003
12	30/40	SPDT		5	No Bracket	2010009
12		SPDT		5	GM 14089936	2010010
12	30/40	SPDT		5	No Bracket/ W/ Resistor	2011001
12		SPDT		5		2012001
12	30	SPDT		5		2012003
12	20	SPDT		5	Mini Contacts/ W Resistor	2012004
12		SPST	NO	4	INTL 452187C1	2013001
12	30	SPDT		5	INTL 447186C1	2013002
				3		2015001
12	20/40	SPDT		5	Bracket/Resistor	2075003
12	40	SPST	NO	5	Bracket/Dual Contacts	2075004
12	10/20	SPDT		5	Bracket/Resistor	2099001
12	40	SPDT		5	No Bracket	2099002
12	30	SPST	NO	5	Bracket/Dual Contacts & Diode	2099003
24	10/20	SPDT		5	Bracket/Resistor	2099009
12	70	SPST	NO	4	Bracket/Resistor	2099012
12	30/40	SPDT		5	Bracket	2099013

Resistors

SWITCHES

<p>Part No. 2012005</p> <p>Resistor</p>  <p>Bottom View</p>	<p>Part No. 2012006</p> <p>4 Speed, 2 Terminals</p>  <p>Bottom View</p>	<p>Part No. 2012007</p> <p>Resistor</p>  <p>Bottom View</p>	<p>Part No. 2012008</p>  <p>Bottom View</p>
<p>Part No. 2012010</p>  <p>Bottom View</p>	<p>Part No. 2013003</p> <p>4 Speed, 4 Terminals</p>  <p>Bottom View</p>	<p>Part No. 2013004</p> <p>3 Speed, 3 Terminals</p> 	<p>Part No. 2013005</p> <p>Linear Power Module Controller</p> 
<p>Part No. 2015003</p>  <p>Bottom View</p>	<p>Part No. 2017001</p> <p>4 Speed, 5 Terminals</p>  <p>Bottom View</p>	<p>Part No. 2018001</p> <p>Resistor Kit</p>  <p>Bottom View (Resistor)</p>	<p>Part No. 2018005</p>  <p>Bottom View</p>
<p>Part No. 2075001</p> <p>24V 3 Speed, 3 Terminal</p>  <p>Bottom View</p>	<p>Part No. 2075002</p> 	<p>Part No. 2099004</p> <p>4 Speed, 4 Terminals</p>  <p>Bottom View</p>	<p>Part No. 2099005</p> <p>3 Speed, 3 Terminals</p>  <p>Bottom View</p>

Resistors (continued)

<p>Part No. 2099006 12V 3 Speed, 3 Terminals</p> 	<p>Part No. 2099014 12V 3 Speed, 3 Terminal</p>   <p>Bottom View</p>	<p>Part No. 2099015 24V Speed, Terminal</p>   <p>Bottom View</p>
---	--	--

Toggle Switches

<p>Part No. 2110001 Blower Switch</p>  <table border="1"> <thead> <tr> <th>Type</th> <th>Function</th> </tr> </thead> <tbody> <tr> <td>Toggle</td> <td>N/A</td> </tr> </tbody> </table>	Type	Function	Toggle	N/A	<p>Part No. 2110002 Blower Switch</p>  <table border="1"> <thead> <tr> <th>Type</th> <th>Function</th> </tr> </thead> <tbody> <tr> <td>Toggle</td> <td>N/A</td> </tr> </tbody> </table>	Type	Function	Toggle	N/A	<p>Part No. 2111001 Blower Switch</p>   <p>Bottom View</p> <table border="1"> <thead> <tr> <th>Type</th> <th>Function</th> </tr> </thead> <tbody> <tr> <td>Toggle</td> <td>N/A</td> </tr> </tbody> </table>	Type	Function	Toggle	N/A	<p>Part No. 2112001 Chrome Toggle, 2 Terminal</p>   <p>Bottom View</p> <table border="1"> <thead> <tr> <th>Type</th> <th>Function</th> </tr> </thead> <tbody> <tr> <td>SPST</td> <td>On-Off</td> </tr> </tbody> </table>	Type	Function	SPST	On-Off
Type	Function																		
Toggle	N/A																		
Type	Function																		
Toggle	N/A																		
Type	Function																		
Toggle	N/A																		
Type	Function																		
SPST	On-Off																		
<p>Part No. 2113001 Blower Switch, 5 Terminal</p>   <p>Bottom View</p> <table border="1"> <thead> <tr> <th>Type</th> <th>Function</th> </tr> </thead> <tbody> <tr> <td>Toggle</td> <td>Off-On-On-On</td> </tr> </tbody> </table>	Type	Function	Toggle	Off-On-On-On	<p>Part No. 2113002 Blower Switch, 5 Terminal</p>   <p>Bottom View</p> <table border="1"> <thead> <tr> <th>Type</th> <th>Function</th> </tr> </thead> <tbody> <tr> <td>Toggle</td> <td>Off-On-On-On</td> </tr> </tbody> </table>	Type	Function	Toggle	Off-On-On-On	<p>Part No. 2113003 Blower Switch</p>   <p>Bottom View</p> <table border="1"> <thead> <tr> <th>Type</th> <th>Function</th> </tr> </thead> <tbody> <tr> <td>Toggle</td> <td>Off-On-On-On</td> </tr> </tbody> </table>	Type	Function	Toggle	Off-On-On-On	<p>Part No. 2114001 Fan Switch, 5 Terminal</p>  <table border="1"> <thead> <tr> <th>Type</th> <th>Function</th> </tr> </thead> <tbody> <tr> <td>SPST</td> <td>Off-On-On-On</td> </tr> </tbody> </table>	Type	Function	SPST	Off-On-On-On
Type	Function																		
Toggle	Off-On-On-On																		
Type	Function																		
Toggle	Off-On-On-On																		
Type	Function																		
Toggle	Off-On-On-On																		
Type	Function																		
SPST	Off-On-On-On																		
<p>Part No. 2114002 Fan Switch, 5 Terminal</p>   <p>Bottom View</p> <table border="1"> <thead> <tr> <th>Type</th> <th>Function</th> </tr> </thead> <tbody> <tr> <td>SPST</td> <td>Off-On-On-On</td> </tr> </tbody> </table>	Type	Function	SPST	Off-On-On-On	<p>Part No. 2117002 Blower Switch, 5 Terminal</p>  <table border="1"> <thead> <tr> <th>Type</th> <th>Function</th> </tr> </thead> <tbody> <tr> <td>Toggle</td> <td>Off-On-On-On</td> </tr> </tbody> </table>	Type	Function	Toggle	Off-On-On-On	<p>Part No. 2199006 Chrome Toggle, 6 Terminal</p>   <p>Bottom View</p> <table border="1"> <thead> <tr> <th>Type</th> <th>Function</th> </tr> </thead> <tbody> <tr> <td>DPDT</td> <td>On-Off-On</td> </tr> </tbody> </table>	Type	Function	DPDT	On-Off-On	<p>Part No. 2199007 Chrome Toggle, 4 Terminal</p>  <table border="1"> <thead> <tr> <th>Type</th> <th>Function</th> </tr> </thead> <tbody> <tr> <td>DPDT</td> <td>On-On-On</td> </tr> </tbody> </table>	Type	Function	DPDT	On-On-On
Type	Function																		
SPST	Off-On-On-On																		
Type	Function																		
Toggle	Off-On-On-On																		
Type	Function																		
DPDT	On-Off-On																		
Type	Function																		
DPDT	On-On-On																		



Toggle Switches (continued)

<p>Part No. 2199008 Fan Switch, 5 Terminal</p>  <p style="text-align: center;">Bottom View</p> <table border="1"> <thead> <tr> <th>Type</th> <th>Function</th> </tr> </thead> <tbody> <tr> <td>SPST</td> <td>Off-On-On-On</td> </tr> </tbody> </table>	Type	Function	SPST	Off-On-On-On	<p>Part No. 2199009 Black Toggle, 3 Terminal</p>  <p style="text-align: center;">Bottom View</p> <table border="1"> <thead> <tr> <th>Type</th> <th>Function</th> </tr> </thead> <tbody> <tr> <td>SPST</td> <td>On-Off</td> </tr> </tbody> </table>	Type	Function	SPST	On-Off	<p>Part No. 2199010 Chrome Toggle, 4 Terminal</p>  <p style="text-align: center;">Bottom View</p> <table border="1"> <thead> <tr> <th>Type</th> <th>Function</th> </tr> </thead> <tbody> <tr> <td>SPST</td> <td>2 Position</td> </tr> </tbody> </table>	Type	Function	SPST	2 Position	<p>Part No. 2199013</p>  <p style="text-align: center;">Bottom View</p> <table border="1"> <thead> <tr> <th>Type</th> <th>Function</th> </tr> </thead> <tbody> <tr> <td>DP</td> <td>Off-On-On-On</td> </tr> </tbody> </table>	Type	Function	DP	Off-On-On-On
Type	Function																		
SPST	Off-On-On-On																		
Type	Function																		
SPST	On-Off																		
Type	Function																		
SPST	2 Position																		
Type	Function																		
DP	Off-On-On-On																		
<p>Part No. 2199014 Black Toggle, 5 Terminal</p>  <p style="text-align: center;">Bottom View</p> <table border="1"> <thead> <tr> <th>Type</th> <th>Function</th> </tr> </thead> <tbody> <tr> <td>DPDT</td> <td>On-Off-On</td> </tr> </tbody> </table>	Type	Function	DPDT	On-Off-On		<p>Part No. 2199019 Air Toggle Switch with Chrome Mounting Nut</p>  <table border="1"> <thead> <tr> <th colspan="2">Description</th> </tr> </thead> <tbody> <tr> <td>15/32"-32</td> <td>UNF-2B</td> </tr> </tbody> </table>	Description		15/32"-32	UNF-2B	<p>Part No. 2199061 Air Toggle Blower Switch</p>  <table border="1"> <thead> <tr> <th colspan="2">Description</th> </tr> </thead> <tbody> <tr> <td>12V</td> <td></td> </tr> </tbody> </table>	Description		12V					
Type	Function																		
DPDT	On-Off-On																		
Description																			
15/32"-32	UNF-2B																		
Description																			
12V																			

Rocker Switches

<p>Part No. 2112002</p>  <p style="text-align: center;">Bottom View</p> <table border="1"> <thead> <tr> <th>Type</th> <th>Function</th> </tr> </thead> <tbody> <tr> <td>Rocker</td> <td>N/A</td> </tr> </tbody> </table>	Type	Function	Rocker	N/A	<p>Part No. 2112004</p>  <p style="text-align: center;">Bottom View</p> <table border="1"> <thead> <tr> <th>Type</th> <th>Function</th> </tr> </thead> <tbody> <tr> <td>Rocker</td> <td>N/A</td> </tr> </tbody> </table>	Type	Function	Rocker	N/A	<p>Part No. 2112007</p>  <p style="text-align: center;">Bottom View</p> <table border="1"> <thead> <tr> <th>Type</th> <th>Function</th> </tr> </thead> <tbody> <tr> <td>Rocker</td> <td>N/A</td> </tr> </tbody> </table>	Type	Function	Rocker	N/A	<p>Part No. 2112008</p>  <table border="1"> <thead> <tr> <th>Type</th> <th>Function</th> </tr> </thead> <tbody> <tr> <td>Rocker</td> <td>N/A</td> </tr> </tbody> </table>	Type	Function	Rocker	N/A
Type	Function																		
Rocker	N/A																		
Type	Function																		
Rocker	N/A																		
Type	Function																		
Rocker	N/A																		
Type	Function																		
Rocker	N/A																		
<p>Part No. 2117001 6 Terminals</p>  <p style="text-align: center;">Bottom View</p> <table border="1"> <thead> <tr> <th>Type</th> <th>Function</th> </tr> </thead> <tbody> <tr> <td>DPDT</td> <td>On-Off-On</td> </tr> </tbody> </table>	Type	Function	DPDT	On-Off-On	<p>Part No. 2117004 5 Terminals</p>  <p style="text-align: center;">Bottom View</p> <table border="1"> <thead> <tr> <th>Type</th> <th>Function</th> </tr> </thead> <tbody> <tr> <td>SPDT</td> <td>On-Off</td> </tr> </tbody> </table>	Type	Function	SPDT	On-Off	<p>Part No. 2118002 2 Terminals</p>  <p style="text-align: center;">Bottom View</p> <table border="1"> <thead> <tr> <th>Type</th> <th>Function</th> </tr> </thead> <tbody> <tr> <td>APDT</td> <td>On-Off</td> </tr> </tbody> </table>	Type	Function	APDT	On-Off	<p>Part No. 2175001 12V, 4 Terminal</p>  <p style="text-align: center;">Bottom View</p> <table border="1"> <thead> <tr> <th>Type</th> <th>Function</th> </tr> </thead> <tbody> <tr> <td>DPST</td> <td>On-Off</td> </tr> </tbody> </table>	Type	Function	DPST	On-Off
Type	Function																		
DPDT	On-Off-On																		
Type	Function																		
SPDT	On-Off																		
Type	Function																		
APDT	On-Off																		
Type	Function																		
DPST	On-Off																		



Rocker Switches (continued)


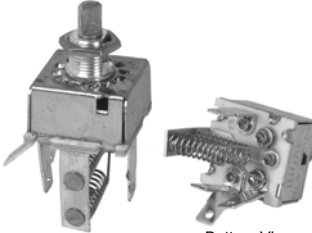

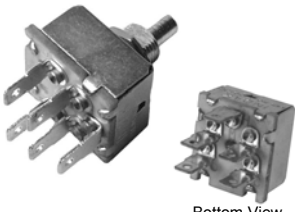
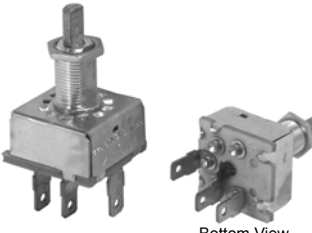
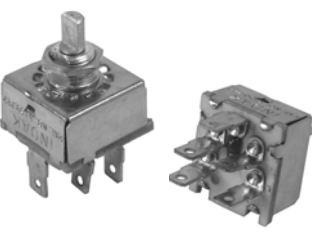

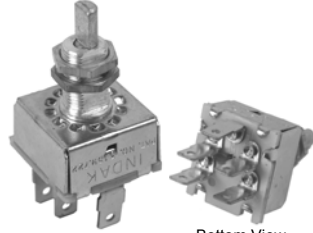
Part No. 2199020		Part No. 2199021		Part No. 2199022		Part No. 2199023	
12V, 2 Terminal		Double Rocker Fan Switch		3 Terminals		5 Terminals	
Bottom View		Bottom View		Bottom View		Bottom View	
Type	Function	Type	Function	Type	Function	Type	Function
SPST	2 Speed	SPDT	On-Off-On	SPDT	On-Off-On	DPDT	On-Off-On

Rotary Switches






Part No. 2112013		Part No. 2112014		Part No. 2115001		Part No. 2115002	
				Rotary Adjustable 12V 10K Ohm Switch		Rotary Switch w/Harness	
Bottom View							
Bottom View				Bottom View			
Type	Function	Type	Function	Type	Function	Type	Function
Rotary	N/A	Rotary	N/A	Rotary	Potentiometer		

Part No. 2118001		Part No. 2118003		Part No. 2175002		Part No. 2175003	
Blower Switch 5 Terminals				Blower Switch w/Resistors, 3 Terminals		6 Terminal <i>Use in Well Ventilated Area</i>	
Bottom View		Bottom View		Bottom View		Bottom View	
Type	Function	Type	Function	Type	Function	Type	Function
Rotary	3 Speed	Rotary	N/A	24V Used w/Single Speed P.M. 2-Wire Motors	3 Speed	Tandem Blower Switch w/Resistor	Off-Low-Med- High


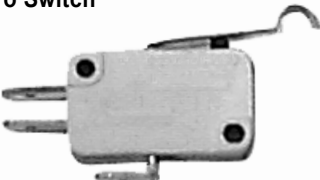

Rotary Switches (continued)

<p>Part No. 2175004</p> <p>6 Terminal</p>  <table border="1"> <thead> <tr> <th>Type</th> <th>Function</th> </tr> </thead> <tbody> <tr> <td>24V w/Resistor</td> <td>3 Speed</td> </tr> </tbody> </table>	Type	Function	24V w/Resistor	3 Speed	<p>Part No. 2199002</p> <p>Current Over 10 Amps Not Recommended, 3 Terminal</p>  <p style="text-align: right;">Bottom View</p> <table border="1"> <thead> <tr> <th>Type</th> <th>Function</th> </tr> </thead> <tbody> <tr> <td>12V w/Resistor</td> <td>3 Speed</td> </tr> </tbody> </table>	Type	Function	12V w/Resistor	3 Speed	<p>Part No. 2199004</p> <p>Blower Switch w/Wiring Harness</p>  <table border="1"> <thead> <tr> <th>Type</th> <th>Function</th> </tr> </thead> <tbody> <tr> <td>Rotary</td> <td>3 Speed</td> </tr> </tbody> </table>	Type	Function	Rotary	3 Speed	<p>Part No. 2199005</p> <p>Blower Switch 5 Terminals</p>  <p style="text-align: right;">Bottom View</p> <table border="1"> <thead> <tr> <th>Type</th> <th>Function</th> </tr> </thead> <tbody> <tr> <td>12V</td> <td>3 Speed</td> </tr> </tbody> </table>	Type	Function	12V	3 Speed
Type	Function																		
24V w/Resistor	3 Speed																		
Type	Function																		
12V w/Resistor	3 Speed																		
Type	Function																		
Rotary	3 Speed																		
Type	Function																		
12V	3 Speed																		
<p>Part No. 2199025</p> <p>3 Terminal</p>  <p style="text-align: right;">Bottom View</p> <table border="1"> <thead> <tr> <th>Type</th> <th>Function</th> </tr> </thead> <tbody> <tr> <td>12V</td> <td>2 Speed</td> </tr> </tbody> </table>	Type	Function	12V	2 Speed	<p>Part No. 2199024</p> <p>5 Terminal</p>  <p style="text-align: right;">Bottom View</p> <table border="1"> <thead> <tr> <th>Type</th> <th>Function</th> </tr> </thead> <tbody> <tr> <td>12V</td> <td>3 Speed</td> </tr> </tbody> </table>	Type	Function	12V	3 Speed	<p>Part No. 2199026</p>  <table border="1"> <thead> <tr> <th>Type</th> <th>Function</th> </tr> </thead> <tbody> <tr> <td>12V</td> <td>3 Speed</td> </tr> </tbody> </table>	Type	Function	12V	3 Speed	<p>Part No. 2199027</p> <p>Includes 2 Nuts, 5 Terminal</p>  <p style="text-align: right;">Bottom View</p> <table border="1"> <thead> <tr> <th>Type</th> <th>Function</th> </tr> </thead> <tbody> <tr> <td>12V</td> <td>3 Speed</td> </tr> </tbody> </table>	Type	Function	12V	3 Speed
Type	Function																		
12V	2 Speed																		
Type	Function																		
12V	3 Speed																		
Type	Function																		
12V	3 Speed																		
Type	Function																		
12V	3 Speed																		








Push Button

<p>Part No. 2113004</p> <p>A/C Compressor Switch</p> <p>Function: On-Off</p> 	<p>Part No. 2114004</p> <p>Push Button Valve</p> 	<p>Part No. 2199028</p> <p>Panel Light 12V</p> 	<p>Part No. 2199029</p> <p>Amber Indicator 12V</p> 	<p>Part No. 2199030</p> <p>Lighted Push Button Switch</p> <p>Blue Lens, 2 Terminals</p> 
---	---	--	---	--

Clutch & Micro

<p>Part No. 2112005</p> <p>Micro Switch</p>  <table border="1"> <thead> <tr> <th>Type</th> <th>Function</th> <th>Terminals</th> </tr> </thead> <tbody> <tr> <td>N/A</td> <td>N/A</td> <td>2</td> </tr> </tbody> </table>	Type	Function	Terminals	N/A	N/A	2	<p>Part No. 2114003</p> <p>Micro Switch</p>  <table border="1"> <thead> <tr> <th>Type</th> <th>Function</th> <th>Terminals</th> </tr> </thead> <tbody> <tr> <td>SPDT</td> <td>On-Off</td> <td>3</td> </tr> </tbody> </table>	Type	Function	Terminals	SPDT	On-Off	3	<p>Part No. 2199003</p> <p>Clutch Switch</p>  <table border="1"> <thead> <tr> <th>Type</th> <th>Function</th> <th>Terminals</th> </tr> </thead> <tbody> <tr> <td>SPDT</td> <td>On-Off</td> <td>2</td> </tr> </tbody> </table>	Type	Function	Terminals	SPDT	On-Off	2
Type	Function	Terminals																		
N/A	N/A	2																		
Type	Function	Terminals																		
SPDT	On-Off	3																		
Type	Function	Terminals																		
SPDT	On-Off	2																		




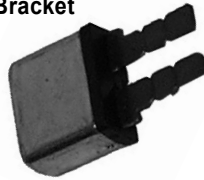
Air Cylinders

Part No. 3212008	Part No. 3212011
<p>Air Cylinder <i>Freightliner</i></p> 	<p>Air Cylinder</p> 
Part No. 3299045	Part No. 3299046
<p>Air Cylinder</p> 	<p>Air Cylinder</p> 
Part No. 3299047	Part No. 3299048
<p>Air Cylinder</p> 	<p>Air Cylinder</p> 
Part No. 3299049	
<p>Air Cylinder</p> 	

SWITCHES



Circuit Breakers

<p>Snap-In Circuit Breaker w/Bracket</p>  <table border="1"> <thead> <tr> <th>Description</th> <th>Part No.</th> </tr> </thead> <tbody> <tr> <td>20-Amp</td> <td>2175012</td> </tr> <tr> <td>30-Amp</td> <td>2199031</td> </tr> <tr> <td>40-Amp</td> <td>2199032</td> </tr> </tbody> </table>	Description	Part No.	20-Amp	2175012	30-Amp	2199031	40-Amp	2199032	<p>Circuit Breaker w/o Bracket</p>  <table border="1"> <thead> <tr> <th>Description</th> <th>Part No.</th> </tr> </thead> <tbody> <tr> <td>20-Amp</td> <td>2199048</td> </tr> <tr> <td>25-Amp</td> <td>2199041</td> </tr> <tr> <td>40-Amp</td> <td>2199044</td> </tr> </tbody> </table>	Description	Part No.	20-Amp	2199048	25-Amp	2199041	40-Amp	2199044	<p>Circuit Breaker</p>  <table border="1"> <thead> <tr> <th>Description</th> <th>Part No.</th> </tr> </thead> <tbody> <tr> <td>10-Amp</td> <td>2199033</td> </tr> <tr> <td>15-Amp</td> <td>2199034</td> </tr> <tr> <td>20-Amp</td> <td>2199035</td> </tr> <tr> <td>30-Amp</td> <td>2199036</td> </tr> </tbody> </table>	Description	Part No.	10-Amp	2199033	15-Amp	2199034	20-Amp	2199035	30-Amp	2199036	<p>Snap-In Circuit Breaker w/Bracket</p>  <table border="1"> <thead> <tr> <th>Description</th> <th>Part No.</th> </tr> </thead> <tbody> <tr> <td>15-Amp</td> <td>2199037</td> </tr> <tr> <td>20-Amp</td> <td>2199038</td> </tr> <tr> <td>30-Amp</td> <td>2199039</td> </tr> </tbody> </table>	Description	Part No.	15-Amp	2199037	20-Amp	2199038	30-Amp	2199039
Description	Part No.																																				
20-Amp	2175012																																				
30-Amp	2199031																																				
40-Amp	2199032																																				
Description	Part No.																																				
20-Amp	2199048																																				
25-Amp	2199041																																				
40-Amp	2199044																																				
Description	Part No.																																				
10-Amp	2199033																																				
15-Amp	2199034																																				
20-Amp	2199035																																				
30-Amp	2199036																																				
Description	Part No.																																				
15-Amp	2199037																																				
20-Amp	2199038																																				
30-Amp	2199039																																				

Circuit Breakers (continued)

Snap-In Circuit Breaker w/o Bracket



Description	Part No.
30-Amp	2199042

Wire Harnesses

Part No. 2175006



Part No. 2199057



Part No. 2199058



Part No. 2199059



Miscellaneous Electrical Accessories

Part No. 1899011

Solenoid Switch, Override Solenoids
Electrically controlled air cylinder that activates clutches or shutters



Part No. 2199060

Thermolimiter Switch
GM Thermal Limiter Fuse



High Pressure Switches

Part No. 2010004



Position	Closed
Actuation	200 psi
Deactuation	430 psi
Terminal	2

Part No. 2211006



Position	Closed
Actuation	150 psi
Deactuation	215 psi
Fitting	3/16" Port
Terminal	1/4" Blades

Part No. 2211007



Position	Normally Open
Actuation	260 psi
Deactuation	210 psi
Terminal	Bare Leads

Part No. 2212003



Position	Normally Open
Actuation	300 psi
Deactuation	210 psi
Fitting	1/4" Female

High Pressure Switches (continued)

SWITCHES



Part No. 2213002	Part No. 2213003	Part No. 2213005	Part No. 2213007
 <p>Position Normally Open Actuation 375 psi Deactuation 250 psi Terminal Packard Connectors</p>	 <p>Position Normally Closed Actuation 250 psi Deactuation 100 psi</p>	 <p>Position Normally Closed Actuation 310 psi Deactuation 210 psi</p>	 <p>Position Normally Open Actuation 250 psi Deactuation 375 psi</p>
Part No. 2213011	Part No. 2215001	Part No. 2217001	Part No. 2275001
 <p>Position Normally Open Actuation 250 psi Deactuation 100 psi</p>	 <p>Position Normally Closed Actuation 350 psi Deactuation 250 psi</p>	 <p>Position Closed Actuation 330 psi Deactuation 180 psi Fitting M10</p>	 <p>Position Closed Actuation 250 psi Deactuation 350 psi Fitting M10 Lead Length 3" Terminal Packard Connectors</p>
Part No. 2275005	Part No. 2275008	Part No. 2299002	Part No. 2299007
 <p>Position Normally Closed Actuation 250 PSI Deactuation 350 PSI Fitting 1/4" Female Flare (7/16"-20 UNF 2B) Lead Length 3 1/2 Terminal Male & Female Spade</p>	 <p>Position Normally Open Actuation 174 PSI Deactuation 260 PSI Fitting 1/4" Female Flare (7/16"-20 UNF 2B) Terminal Packard</p>	 <p>Position Normally Open Actuation 150 psi Deactuation 215 psi</p>	 <p>Position Normally Closed Actuation 300 psi Deactuation 210 psi Terminal Packard Connectors</p>
Part No. 2299011	Part No. 2299012	Part No. 2299013	Part No. 2299014
 <p>Actuation 215 psi Deactuation 175 psi Fitting 1/8"-27 NPT Lead Length 30", 5" Terminal 1/4" Male & Female Spade</p>	 <p>Position Open Actuation 260 psi Deactuation 180 psi Fitting 1/4" (7/16"-20) Female SAE Flare Lead Length 6" Terminal Bare Leads</p>	 <p>Position Normally Open Actuation 300±10 psi Deactuation 210±10 psi Fitting 1/4" Female SAE Flare Lead Length 5 1/2" Terminal Packard Connectors</p>	 <p>Position Closed Actuation 200 psi Deactuation 375 psi Fitting 1/4" Female SAE Flare Lead Length 8" Terminal Bare Leads</p>

High Pressure Switches (continued)

Part No. 2299015		Part No. 2299016		Part No. 2299017		Part No. 2299018	
							
Position	Closed	Position	Normally Open	Position	Open	Position	Closed
Actuation	210 psi	Actuation	260 psi	Actuation	260 psi	Actuation	200 psi
Deactuation	260 psi	Deactuation	210 psi	Deactuation	180 psi	Deactuation	300 psi
Fitting	1/4" Female SAE Flare	Fitting	1/4" Female Flare	Fitting	M10 Female O-Ring	Fitting	M10 Female O-Ring
Lead Length	6"	Terminal	Screw #8-32 UNF-2B	Lead Length	6"	Lead Length	3"
Terminal	Bare Leads	Terminal	Screw #8-32 UNF-2B	Terminal	Bare Leads	Terminal	Packard Connectors
Part No. 2299020		Part No. 2299021					
							
Position	Closed	Position	Open				
Actuation	210 psi	Actuation	260 psi				
Deactuation	260 psi	Deactuation	210 psi				
Fitting	M10 Female O-Ring	Fitting	M10 Female O-Ring				
Lead Length	6"	Terminal	Screw #8-32				
Terminal	Bare Leads	Terminal	Screw #8-32				

Low Pressure Switches

Part No. 2010005		Part No. 2010006		Part No. 2213001		Part No. 2213008	
							
Position	Closed	Position	Closed	Position	Normally Closed	Position	Normally Closed
Actuation	51 psi	Actuation	43 psi	Actuation	30 psi	Actuation	35 psi
Deactuation	45 psi	Deactuation	37 psi	Deactuation	7 psi max.	Deactuation	5 psi
Terminal	2	Terminal	2	Terminal	Packard Connectors	Terminal	
Part No. 2213010		Part No. 2215003		Part No. 2217002		Part No. 2275002	
							
Position	Normally Open	Position	Normally Open	Position	Open	Position	Open
Actuation	15 psi	Actuation	25 psi	Actuation	23 psi	Actuation	35 psi
Deactuation	35 psi	Deactuation	45 psi	Deactuation	47 psi	Deactuation	10 psi
Terminal		Terminal		Fitting	M12	Fitting	1/4" Female SAE Flare
Terminal		Terminal		Terminal		Lead Length	3 1/2"
Terminal		Terminal		Terminal		Terminal	Packard Connectors

Low Pressure Switches (continued)

SWITCHES



<p>Part No. 2275003</p>  <table border="1"> <tr><td>Position</td><td>Open</td></tr> <tr><td>Actuation</td><td>34 psi</td></tr> <tr><td>Deactuation</td><td>6 psi</td></tr> <tr><td>Fitting</td><td>M10 Female O-Ring</td></tr> <tr><td>Lead Length</td><td>3"</td></tr> <tr><td>Terminal</td><td>Packard Connectors</td></tr> </table>	Position	Open	Actuation	34 psi	Deactuation	6 psi	Fitting	M10 Female O-Ring	Lead Length	3"	Terminal	Packard Connectors	<p>Part No. 2275004</p>  <table border="1"> <tr><td>Position</td><td>Open</td></tr> <tr><td>Actuation</td><td>35 psi</td></tr> <tr><td>Deactuation</td><td>10 psi</td></tr> <tr><td>Fitting</td><td>M10</td></tr> <tr><td>Lead Length</td><td>3 1/2"</td></tr> <tr><td>Terminal</td><td>Male & Female Spade</td></tr> </table>	Position	Open	Actuation	35 psi	Deactuation	10 psi	Fitting	M10	Lead Length	3 1/2"	Terminal	Male & Female Spade	<p>Part No. 2299001</p>  <table border="1"> <tr><td>Position</td><td>Normally Open</td></tr> <tr><td>Actuation</td><td>34 psi</td></tr> <tr><td>Deactuation</td><td>On Pressure Drop 10 psi</td></tr> <tr><td>Terminal</td><td>Bare Leads</td></tr> </table>	Position	Normally Open	Actuation	34 psi	Deactuation	On Pressure Drop 10 psi	Terminal	Bare Leads	<p>Part No. 2299009</p>  <table border="1"> <tr><td>Position</td><td>Normally Open</td></tr> <tr><td>Actuation</td><td>34 psi</td></tr> <tr><td>Deactuation</td><td>On Pressure Drop 6 psi</td></tr> <tr><td>Fitting</td><td>1/4" Female Flare</td></tr> <tr><td>Terminal</td><td>Packard Connectors</td></tr> </table>	Position	Normally Open	Actuation	34 psi	Deactuation	On Pressure Drop 6 psi	Fitting	1/4" Female Flare	Terminal	Packard Connectors				
Position	Open																																																
Actuation	34 psi																																																
Deactuation	6 psi																																																
Fitting	M10 Female O-Ring																																																
Lead Length	3"																																																
Terminal	Packard Connectors																																																
Position	Open																																																
Actuation	35 psi																																																
Deactuation	10 psi																																																
Fitting	M10																																																
Lead Length	3 1/2"																																																
Terminal	Male & Female Spade																																																
Position	Normally Open																																																
Actuation	34 psi																																																
Deactuation	On Pressure Drop 10 psi																																																
Terminal	Bare Leads																																																
Position	Normally Open																																																
Actuation	34 psi																																																
Deactuation	On Pressure Drop 6 psi																																																
Fitting	1/4" Female Flare																																																
Terminal	Packard Connectors																																																
<p>Part No. 2299010</p>  <table border="1"> <tr><td>Position</td><td>Normally Open</td></tr> <tr><td>Actuation</td><td>35 psi</td></tr> <tr><td>Deactuation</td><td>15 psi</td></tr> </table>	Position	Normally Open	Actuation	35 psi	Deactuation	15 psi	<p>Part No. 2299022</p>  <table border="1"> <tr><td>Position</td><td>Open</td></tr> <tr><td>Actuation</td><td>34 psi</td></tr> <tr><td>Deactuation</td><td>25 psi</td></tr> <tr><td>Fitting</td><td>1/4" (7/16"-20) Female SAE Flare</td></tr> <tr><td>Lead Length</td><td>3"</td></tr> <tr><td>Terminal</td><td>1/4" Male & Female Blades</td></tr> </table>	Position	Open	Actuation	34 psi	Deactuation	25 psi	Fitting	1/4" (7/16"-20) Female SAE Flare	Lead Length	3"	Terminal	1/4" Male & Female Blades	<p>Part No. 2299023</p>  <table border="1"> <tr><td>Position</td><td>Normally Open</td></tr> <tr><td>Actuation</td><td>34±4 psi</td></tr> <tr><td>Deactuation</td><td>12±3 psi</td></tr> <tr><td>Fitting</td><td>1/4" Female Flare</td></tr> <tr><td>Lead Length</td><td>3 1/2"</td></tr> <tr><td>Terminal</td><td>Packard Connectors</td></tr> </table>	Position	Normally Open	Actuation	34±4 psi	Deactuation	12±3 psi	Fitting	1/4" Female Flare	Lead Length	3 1/2"	Terminal	Packard Connectors	<p>Part No. 2299024</p>  <table border="1"> <tr><td>Position</td><td>Open</td></tr> <tr><td>Actuation</td><td>34 psi</td></tr> <tr><td>Deactuation</td><td>6 psi</td></tr> <tr><td>Fitting</td><td>1/4" Female SAE Flare</td></tr> <tr><td>Terminal</td><td>Screw #8-32</td></tr> </table>	Position	Open	Actuation	34 psi	Deactuation	6 psi	Fitting	1/4" Female SAE Flare	Terminal	Screw #8-32						
Position	Normally Open																																																
Actuation	35 psi																																																
Deactuation	15 psi																																																
Position	Open																																																
Actuation	34 psi																																																
Deactuation	25 psi																																																
Fitting	1/4" (7/16"-20) Female SAE Flare																																																
Lead Length	3"																																																
Terminal	1/4" Male & Female Blades																																																
Position	Normally Open																																																
Actuation	34±4 psi																																																
Deactuation	12±3 psi																																																
Fitting	1/4" Female Flare																																																
Lead Length	3 1/2"																																																
Terminal	Packard Connectors																																																
Position	Open																																																
Actuation	34 psi																																																
Deactuation	6 psi																																																
Fitting	1/4" Female SAE Flare																																																
Terminal	Screw #8-32																																																
<p>Part No. 2299025</p>  <table border="1"> <tr><td>Position</td><td>Open</td></tr> <tr><td>Actuation</td><td>34 psi</td></tr> <tr><td>Deactuation</td><td>6 psi</td></tr> <tr><td>Fitting</td><td>M10 Female O-Ring</td></tr> <tr><td>Terminal</td><td>Screw #8-32</td></tr> </table>	Position	Open	Actuation	34 psi	Deactuation	6 psi	Fitting	M10 Female O-Ring	Terminal	Screw #8-32	<p>Part No. 2299026</p>  <p style="text-align: center;">Terminal Leads</p> <table border="1"> <tr><td>Position</td><td>Open</td></tr> <tr><td>Actuation</td><td>34 psi</td></tr> <tr><td>Deactuation</td><td>6 psi</td></tr> <tr><td>Fitting</td><td>M10 Female O-Ring</td></tr> <tr><td>Lead Length</td><td>3 1/2"</td></tr> <tr><td>Terminal</td><td>Bare Leads</td></tr> </table>	Position	Open	Actuation	34 psi	Deactuation	6 psi	Fitting	M10 Female O-Ring	Lead Length	3 1/2"	Terminal	Bare Leads	<p>Part No. 2299027</p>  <table border="1"> <tr><td>Position</td><td>Closed</td></tr> <tr><td>Actuation</td><td>20 psi</td></tr> <tr><td>Deactuation</td><td>4 psi</td></tr> <tr><td>Fitting</td><td>M10 Female O-Ring</td></tr> <tr><td>Lead Length</td><td>N/A</td></tr> <tr><td>Terminal</td><td>Bare Leads</td></tr> </table>	Position	Closed	Actuation	20 psi	Deactuation	4 psi	Fitting	M10 Female O-Ring	Lead Length	N/A	Terminal	Bare Leads	<p>Part No. 2299028</p>  <table border="1"> <tr><td>Position</td><td>Open</td></tr> <tr><td>Actuation</td><td>34 psi</td></tr> <tr><td>Deactuation</td><td>26 psi</td></tr> <tr><td>Fitting</td><td>M10 Female O-Ring</td></tr> <tr><td>Lead Length</td><td>3"</td></tr> <tr><td>Terminal</td><td>Bare Leads</td></tr> </table>	Position	Open	Actuation	34 psi	Deactuation	26 psi	Fitting	M10 Female O-Ring	Lead Length	3"	Terminal	Bare Leads
Position	Open																																																
Actuation	34 psi																																																
Deactuation	6 psi																																																
Fitting	M10 Female O-Ring																																																
Terminal	Screw #8-32																																																
Position	Open																																																
Actuation	34 psi																																																
Deactuation	6 psi																																																
Fitting	M10 Female O-Ring																																																
Lead Length	3 1/2"																																																
Terminal	Bare Leads																																																
Position	Closed																																																
Actuation	20 psi																																																
Deactuation	4 psi																																																
Fitting	M10 Female O-Ring																																																
Lead Length	N/A																																																
Terminal	Bare Leads																																																
Position	Open																																																
Actuation	34 psi																																																
Deactuation	26 psi																																																
Fitting	M10 Female O-Ring																																																
Lead Length	3"																																																
Terminal	Bare Leads																																																
<p>Part No. 2299029</p>  <table border="1"> <tr><td>Position</td><td>Open</td></tr> <tr><td>Actuation</td><td>20 psi</td></tr> <tr><td>Deactuation</td><td>4 psi</td></tr> <tr><td>Fitting</td><td>M10 Female O-Ring</td></tr> <tr><td>Lead Length</td><td>N/A</td></tr> <tr><td>Terminal</td><td>Bare Leads</td></tr> </table>	Position	Open	Actuation	20 psi	Deactuation	4 psi	Fitting	M10 Female O-Ring	Lead Length	N/A	Terminal	Bare Leads																																					
Position	Open																																																
Actuation	20 psi																																																
Deactuation	4 psi																																																
Fitting	M10 Female O-Ring																																																
Lead Length	N/A																																																
Terminal	Bare Leads																																																



Low Pressure Cutoff Switch

Part No. 2299005

Low Pressure Cutoff Switch



Position	Normally Open
Deactuation	27 PSIG (R-134a)
Fitting	3/8"-24 UNF-2A Male O-Ring

Heat Sensing Switch

Part No. 2299006

Heat Sensing Switch

High Temperature Safety Switch opens at 200° F. Note: Switch clamps to 3/8" tube.



Miscellaneous Pressure Switches

Part No. 2010007



Radiator Fan Switch
2 Terminal, Mounted on Compressor

Part No. 2010008



Fan Switch
2 Terminal, Mounted on Compressor

Part No. 2112009



Fan Switch

Part No. 2211001



Coolant Temp Sensor

Part No. 2211005



Pressure Switch

Part No. 2212006



Air Pressure Switch
Actuation 65 psi
Deactuation 75 psi

Part No. 2212007



Apads Pressure Switch

Part No. 2212008



Apads Pressure Switch

Part No. 2299031



Apads Switch

Part No. 2299032












Pressure Switch

Cycling Switches

SWITCHES



<p>Part No. 2210001</p>  <p>A/C Low Pressure Cycling Switch</p> <table border="1"> <tr><td>Position</td><td>Closed</td></tr> <tr><td>Deactuation</td><td>44 psi</td></tr> <tr><td>Fitting</td><td>21 psi</td></tr> </table>	Position	Closed	Deactuation	44 psi	Fitting	21 psi	<p>Part No. 2210002</p>  <p>Pressure Cycling Switch Mounted on compressor</p> <table border="1"> <tr><td>Position</td><td>Closed</td></tr> <tr><td>Actuation</td><td>38 psi</td></tr> <tr><td>Deactuation</td><td>25 psi</td></tr> </table>	Position	Closed	Actuation	38 psi	Deactuation	25 psi	<p>Part No. 2210003</p>  <p>Clutch Cycling Switch</p>	<p>Part No. 2210004</p>  <p>A/C Cycling Low Switch</p>
Position	Closed														
Deactuation	44 psi														
Fitting	21 psi														
Position	Closed														
Actuation	38 psi														
Deactuation	25 psi														
<p>Part No. 2211002</p>  <p>Pressure Cycling Switch</p>	<p>Part No. 2211003</p>  <p>Clutch Cycling Switch</p>	<p>Part No. 2211004</p>  <p>Accumulator Pressure Cycling Switch</p> <table border="1"> <tr><td>Position</td><td>Normally Open</td></tr> <tr><td>Actuation</td><td>46 psi</td></tr> </table>	Position	Normally Open	Actuation	46 psi	<p>Part No. 2212005</p>  <p>Fan Cycling Switch M10 Fitting</p> <table border="1"> <tr><td>Position</td><td>Closed</td></tr> </table>	Position	Closed						
Position	Normally Open														
Actuation	46 psi														
Position	Closed														
<p>Part No. 2215002</p>  <p>GM Cycling Switch</p> <table border="1"> <tr><td>Fitting</td><td>1/4" Female SAE Flare</td></tr> <tr><td>Terminal</td><td>1/4" Male Blades</td></tr> </table>	Fitting	1/4" Female SAE Flare	Terminal	1/4" Male Blades											
Fitting	1/4" Female SAE Flare														
Terminal	1/4" Male Blades														

Binary Pressure Switches

This switch assembly performs two distinct functions. The first function prevents the compressor from operating if system charge is lost or ambient temperature is too low. The second stops compressor if head pressure increases to unsafe levels. It automatically resets when pressure drops back to normal.

Install Binary on liquid side of A/C system between condenser and expansion valve, for use with R-12 and R-134a systems.





Part No. 2212001	Part No. 2212002	Part No. 2212004	Part No. 2215004	Part No. 2299033
				
Mounting Configuration 1/4" Female Binary Switch (R-12)	Mounting Configuration M10 Female Binary Switch (R-134a)	Mounting Configuration M10 Fitting	Mounting Configuration 3/8"-24 UNF-2A Male thread with bulkhead type seal (R-134a)	Mounting Configuration 7/16"-20 UNF-2B Female thread for installation on male "Schrader" type valve

Binary Pressure Protection		
Low Pressure	30 - 15 PSIG (Falling Pressure)	40 PSIG (Rising Pressure)
High Pressure	270 - 330 PSIG (Rising Pressure)	80 - 120 PSIG Below (Opening Pressure)

Trinary Pressure Switches

This switch assembly performs three distinct functions. The first function prevents the compressor from operating if system charge is lost or ambient temperature is too low. The second stops compressor if head pressure increases to unsafe levels. It automatically resets when pressure drops back to normal. The third function is a shutter/fan override switch that keeps head pressure within normal range by opening shutters or operating engine fan to increase air flow across condenser when head pressure rises above set valve.

Install Trinary on liquid side of A/C system between condenser and expansion valve, for use with R-12 and R-134a systems.

Part No. 2299004	Part No. 2299003	Part No. 2299008	Part No. 2299100
			
<i>* No shutter fan switch</i>	<i>* N/O shutter fan switch</i>	<i>* N/C shutter fan switch</i>	Trinary Harness
MOUNTING CONFIGURATION 3/8"-24 UNF-2A Male thread	MOUNTING CONFIGURATION 7/16"-20 UNF-2B Female thread	MOUNTING CONFIGURATION 7/16"-20 UNF-2B Female thread	MOUNTING CONFIGURATION Trinary Boot (Provides a molded 4 wire connection to Trinary Switch. Lead wires are 28" long.) Helps eliminate terminal corrosion and breakage.
			<i>Recommended on all trinary and binary vehicle applications</i>

Trinary Pressure Protection		
Low Pressure	22.5±7.5 PSIG (Falling Pressure)	40 PSIG (Rising Pressure)
High Pressure	325±25 PSIG	230±20 PSIG Below (Opening Pressure)
Shutter/Fan Override	35 - 60 PSIG Below (Closing Pressure)	200 - 230 PSIG (Rising Pressure)



ACX-10 (Air Conditioning Life Extender)

A Detection and Protection System

The ACX-10 A/C Life Extender detects pressure that's too high or low, and to much or too little voltage. Then, it protects expensive system components from being damaged, and saves you maintenance costs and downtime.

Pressure Protection

Both high and low refrigerant charge or pressure can lead to rapid cycling of the system. This causes premature wear on the compressor, clutch and hoses. Even worse, a compressor laboring under low pressure can lose lubrication and suffer sudden and complete failure.

When the ACX-10 detects persistent high or low system pressure, it disengages the A/C clutch until the pressure returns to the normal, safe operating range.

Voltage Protection

Over-voltage causes excessive current and heat in the clutch coil, which shortens its life. Worse yet is under-voltage, which can cause the clutch to slip and burn out.

The ACX-10 detects over- and under-voltage conditions, and temporarily disengages the A/C clutch until the voltage returns to the normal, safe range.

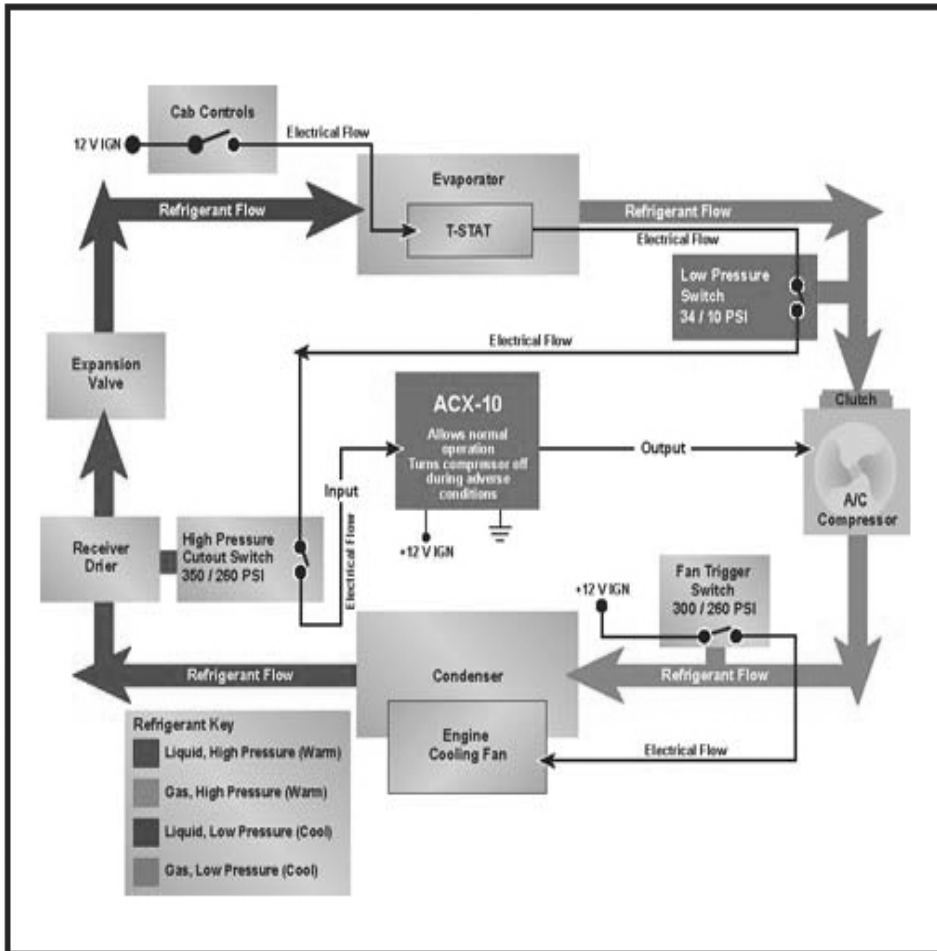
Bonus: Starter Motor Protection

If the A/C is on during the vehicle's ignition cycle, the starter motor has to work extra hard - it has to crank the compressor as well as the engine.

The ACX-10 unburdens the starter motor and extends its life by delaying the A/C clutch engagement until 15 seconds after ignition.



Description	Part No.
For use with vehicles existing low pressure switch (no pressure switch in kit) with weatherpack connector	2299039



Maintaining your cool

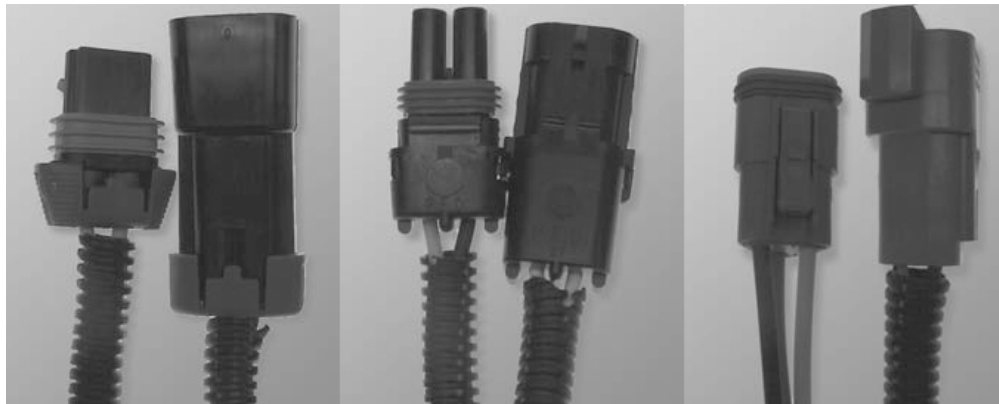
- Prevents rapid cycling under harmful high- or low-pressure conditions
- Extends life of clutch, compressor & hoses
- Protects clutch in over- or under-voltage conditions
- Prevents premature damage to clutch coil & plates
- Reduces stress on starter motor & batteries
- Installs quickly & easily with a few simple connections
- Provides rapid payback in maintenance cost savings

Index Sensor & Control Specifications

Types of Sensors



Connector Key



Weatherpack Tower (left)
Weatherpack Shroud (right)















Metripack Tower (left)
Metripack Shroud (right)

Deutsch Plug (left)
Deutsch Receptacle (right)

Heavy Duty Temperature Switches

SWITCHES



<p>Part No. 2218001</p>  <p>Position Open Terminal #8-32 thread</p>	<p>Part No. 2218003</p>  <p>Position Closed Terminal #8-32 thread</p>	<p>Part No. 2218004</p>  <p>Position Open Terminal (2) #8-32 screw</p>	<p>Part No. 2218005</p>  <p>Position Closed Terminal #8-32 thread</p>
<p>Part No. 2218006</p>  <p>Position Open Terminal (2) #8-32 screw</p>	<p>Part No. 2218009</p>  <p>Position Open Terminal (2) #8-32 screw</p>	<p>Part No. 2218010</p>  <p>Position Closed & Open Terminal (2) #8-32 screw</p>	<p>Part No. 2218011</p>  <p>Position Closed & Open Terminal (2) #8-32 screw</p>
<p>Part No. 2218012</p>  <p>Position Closed & Open Terminal (2) #8-32 screw</p>	<p>Part No. 2218013</p>  <p>Position Closed & Open Terminal (2) #8-32 screw</p>	<p>Part No. 2218014</p>  <p>Position Closed & Open Terminal (2) #8-32 screw</p>	<p>Part No. 2218021</p>  <p>Position Closed Terminal (2) #8-32 screw</p>
<p>Part No. 2218022</p>  <p>Position Open Terminal (2) #8-32 screw</p>	<p>Part No. 2218027</p>  <p>Position Open Terminal #8-32 thread</p>		



Heavy Duty Temperature Switches Specifications

Set	Reset	Housing Thread	Terminals or Connector	Description	OEM	Equivalent	Index No.	Part No.
220°	NO	"1/2" NPTF"		Temp SW Mech 220 Deg	3134059		8039023	2218001
215°	NC	"1/2" NPTF"		Temp SW 215 Deg	8168292		8039017P	2218003
205°	NO	"1/2" NPTF"	8-32 Screw	Temp Control Mech 205 Deg	3918038	"Horton 15940, 15954"	8037034	2218004
220°	NC	"1/2" NPTF"		Temp SW Mech 220 Deg	3918480		8039021	2218005
195°	NO	"1/2" NPTF"	8-32 Screw	Temp Control Mech 195 Deg	3918481	Horton 15957	8037026	2218006
185°	NO	"1/2" NPTF"	8-32 Screw	Temp Control Mech 185 Deg	3946905	Horton 15942	8037018P	2218009
185°	CO	"1/2" NPTF"	8-32 Screw	Temp Control Mech 185 Deg	3946910	Navistar 1685131C92	8037045	2218010
190°	CO	"1/2" NPTF"	8-32 Screw	Temp Control Mech 190 Deg	3946911		8037048	2218011
195°	CO	"1/2" NPTF"	8-32 Screw	Temp Control Mech 195 Deg	3946912	Navistar 1685132C92	8037050	2218012
200°	CO	"1/2" NPTF"	8-32 Screw	Temp Control Mech 200 Deg	3946913		8037053P	2218013
205°	CO	"1/2" NPTF"	8-32 Screw	Temp Control Mech 205 Deg	3946914	Navistar 16851717C92	8037055P	2218014
205°	NC	"1/2" NPTF"	8-32 Screw	Temp Control Mech 205 Deg	8068881		8037032	2218021
200°	NO	"1/2" NPTF"	8-32 Screw	Temp Control Mech 200 Deg	8167882	Horton 15955	8037030	2218022
215°	NO	"1/2" NPTF"		Temp SW Mech 215 Deg	3918479		8039019	2218027

Adapters

Part No. 2218002



Adapters Specifications

Description	OEM	Part No.
Harness, Adapter K2	8038036	2218002

Heavy Duty Pressure Switches

Fan Trigger Switches - 1/4" F Flare Fitting (R-12)

Part No. 2218007		Part No. 2218019		Part No. 2218020	
					
Position	Closed	Position	Closed	Position	Closed
Terminal	Weatherpack Shroud	Terminal	Weatherpack Tower	Terminal	Weatherpack Shroud

Fan Trigger Switches - 1/4" F Flare Fitting (R-12)

Set	Reset	Mode	Connector	Description	Notes	OEM	Replaces Index P/N	Index No.	Part No.
275 psi	235	NC	Weatherpack Shroud	Psw 275R psi	use w / Index Fan Temp Timer	3918482	8040134	8040082	2218007
275 psi	235	NC	Weatherpack Tower	Psw 275R psi	General Purpose	"3948745, 1622648C91"	8040232	8040231	2218019
275 psi	235	NC	Weatherpack Shroud	Psw 275R psi	General Purpose	1MR2456	"8040236, 8040230"	8040243	2218020

SWITCHES



High Pressure Cutout Switches (R-12)


Part No. 2218018	
	
Position	Closed
Terminal	Weatherpack Shroud

High Pressure Cutout Switches - 1/4" F Flare Fitting

Set	Reset	Mode	Connector	Description	Notes	Index No.	Part No.
310 psi	220	NC	Weatherpack Shroud	Psw 310R psi	General Purpose	8040225	2218018

Low Pressure Cutout Switches (R-12)

Part No. 2218023




Position	Open
Terminal	Weatherpack Shroud

Low Pressure Cutout Switches - 1/4" F Flare Fitting

Set	Reset	Mode	Connector	Description	Notes	Index No.	Part No.
34 psi	8	NO	Weatherpack Shroud	Psw 034R psi	General Purpose	8040204	2218023

High Pressure Cutout Switches (R-134a)

Part No. 2299035		Part No. 2299036	
No Photo Available			
Position	Closed	Position	Closed
Terminal	Metripack	Terminal	Metripack

High Pressure Cutout Switches - M10 Female Schrader Fitting

Set	Reset	Mode	Connector	Description	Notes	OEM	Replaces Index P/N	Index No.	Part No.
300 psi	260	NC	Metripack	Psw 300R psi	for use with Apads system	"1699309C1, 3949288"	"8040147, 8040177, 8040279"	8040135	2299035
300 psi	260	NC	Metripack	Psw 300R psi		2501256C1		8040177	2299036



Low Pressure Cutout Switches (R-134a)

Part No. 2213009		Part No. 2299037	
Position	Closed	Position	Closed
Terminal	Metripack Shroud	Terminal	Metripack Shroud

Low Pressure Cutout Switches - M12 Female Schrader Fitting

Set	Reset	Mode	Connector	Description	Notes	OEM	Replaces Index P/N	Index No.	Part No.
34 psi	10	NC	Metripack Shroud	Psw 034 psi	for use with Apads system	8040136	"8040189, 8040161, 8040178, 8040170"	8040136	2213009
34 psi	10	NC	Metripack Shroud	Psw 034 psi		"2501257C1, 3918481"		8040178	2299037

Multi-purpose Pressure Switches - Specified by Falling Reset Point

Part No. 2218017	
Position	Closed
Terminal	Weatherpack Shroud

Multi-Purpose Pressure Switches - Specified by Falling Reset Point

Nominal Pressure	Mode	Nominal Set Point (Rising Prs)	Nominal Reset Point (Rising Prs)	NPTF	Connector	Descripton	OEM	Index No.	Part No.
010	NC	18	10	"1/4"	Weatherpack Shroud	Psw 010F - H3 C7 Air Oil Fuel	3948472	8040223	2218017

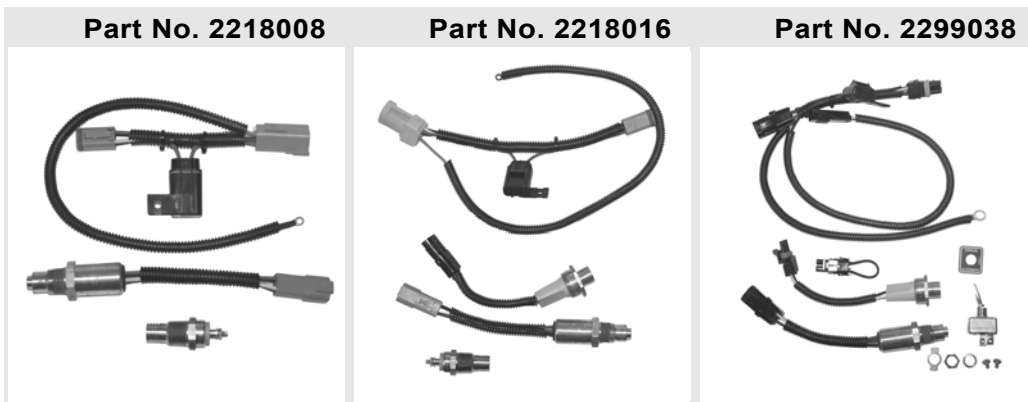
Apads Control Modules, Climate Control



Apads Control Modules, Climate Control

Description	OEM	OEM No.	Index No.	Part No.
"Apads Control Module, CM-812"	Volvo	3946918	8042114	2218015
"Apads Control Module-814, 30 Second"	Volvo	20357741	8042133	2218025
"Apads Control Module, CM-814 Std"	Volvo	20357742	8042132	2218026
"CD, Behr 640043.02"	Freightliner	Behr 854309000	8042104	2299040

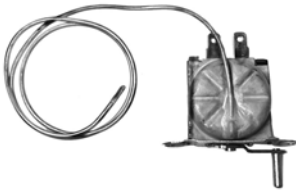

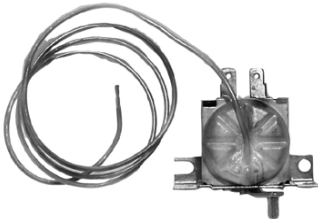
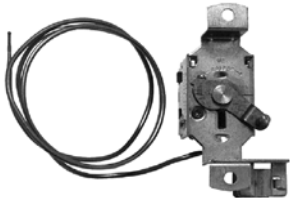
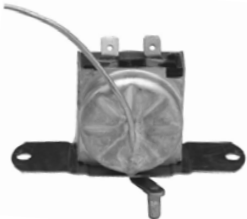

Conversion Kits



Conversion Kits

Description	OEM	OEM No.	Index No.	Part No.
"Kit, Conv. ISC-3 to TE-742"		3919193	8041115	2218008
"Kit, Conv. 803 to TE-742"		3948741	8041114	2218016
"Kit, Fan Control "	International	"3946916, 1697071C91"	8041056	2299038



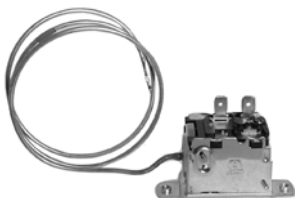
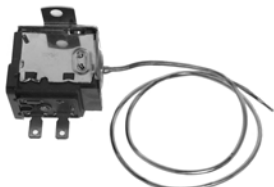



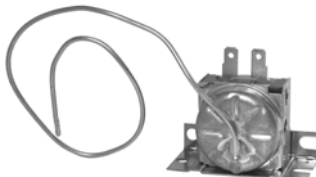
Cable Controlled Thermostat

Part No. 2310013	Part No. 2313001	Part No. 2318001	Part No. 2399010
			
Cap Length 22" Type Variable Temperature Range 26° - 34°F	Cap Length 43" Type Variable Temperature Range 30° - 62°F Clutch Cycle Range 10°	Cap Length 31 1/2" Type Variable Temperature Range 25° - 75°F Clutch Cycle Range 5°	Cap Length 18" Type Variable Temperature Range 28° - 40°F
Part No. 2399011	Part No. 2399012		
			
Cap Length 18" Type Variable Temperature Range 28° - 66°F	Cap Length 24" Type Variable Temperature Range 26° - 34°F		

SWITCHES



Preset Thermostat

Part No. 2312001	Part No. 2313002	Part No. 2313003	Part No. 2314001
			
Cap Length 16" Type Fixed Temperature Range 28° - 35° F	Cap Length 24 Type Fixed Temperature Range 34° - 44°	Cap Length 24" Type Fixed Temperature Range 30° - 70° F	Cap Length 21" Type Fixed Temperature Range 33° - 39° F
Part No. 2315001	Part No. 2318002	Part No. 2318003	Part No. 2318004
			
Cap Length N/A Type Fixed Temperature Range 34° - 52° F Clutch Cycle Range 5"	Cap Length 31 1/2" Type Fixed Temperature Range 31° - 40° F	Cap Length N/A Type N/A Temperature Range N/A Clutch Cycle Range N/A	Cap Length N/A Type N/A Temperature Range N/A Clutch Cycle Range N/A



Preset Thermostat (continued)

<p>Part No. 2399001</p>  <table border="1"> <tr><td>Cap Length</td><td>24"</td></tr> <tr><td>Type</td><td>Fixed</td></tr> <tr><td>Temperature Range</td><td>31° - 39° F</td></tr> </table>	Cap Length	24"	Type	Fixed	Temperature Range	31° - 39° F	<p>Part No. 2399003</p>  <table border="1"> <tr><td>Cap Length</td><td>24"</td></tr> <tr><td>Type</td><td>Fixed</td></tr> <tr><td>Temperature Range</td><td>31° - 39° F</td></tr> <tr><td>Clutch Cycle Range</td><td>8°</td></tr> </table>	Cap Length	24"	Type	Fixed	Temperature Range	31° - 39° F	Clutch Cycle Range	8°	<p>Part No. 2399005</p>  <table border="1"> <tr><td>Cap Length</td><td>24"</td></tr> <tr><td>Type</td><td>Fixed</td></tr> <tr><td>Temperature Range</td><td>31° - 39° F</td></tr> </table>	Cap Length	24"	Type	Fixed	Temperature Range	31° - 39° F	<p>Part No. 2399006</p>  <table border="1"> <tr><td>Cap Length</td><td>21"</td></tr> <tr><td>Type</td><td>Fixed</td></tr> <tr><td>Temperature Range</td><td>31° - 40° F</td></tr> </table>	Cap Length	21"	Type	Fixed	Temperature Range	31° - 40° F
Cap Length	24"																												
Type	Fixed																												
Temperature Range	31° - 39° F																												
Cap Length	24"																												
Type	Fixed																												
Temperature Range	31° - 39° F																												
Clutch Cycle Range	8°																												
Cap Length	24"																												
Type	Fixed																												
Temperature Range	31° - 39° F																												
Cap Length	21"																												
Type	Fixed																												
Temperature Range	31° - 40° F																												
<p>Part No. 2399009</p>  <table border="1"> <tr><td>Cap Length</td><td>12 1/2"</td></tr> <tr><td>Type</td><td>Fixed</td></tr> <tr><td>Temperature Range</td><td>31° - 39 1/2° F</td></tr> </table>	Cap Length	12 1/2"	Type	Fixed	Temperature Range	31° - 39 1/2° F	<p>Part No. 2399014</p>  <table border="1"> <tr><td>Cap Length</td><td>24"</td></tr> <tr><td>Type</td><td>Fixed</td></tr> <tr><td>Temperature Range</td><td>27° - 35° F</td></tr> </table>	Cap Length	24"	Type	Fixed	Temperature Range	27° - 35° F	<p>Part No. 2399015</p>  <table border="1"> <tr><td>Cap Length</td><td>9 1/2"</td></tr> <tr><td>Type</td><td>Fixed</td></tr> <tr><td>Temperature Range</td><td>31° - 39° F</td></tr> </table>	Cap Length	9 1/2"	Type	Fixed	Temperature Range	31° - 39° F	<p>Part No. 2399016</p>  <table border="1"> <tr><td>Cap Length</td><td>N/A</td></tr> <tr><td>Type</td><td>Electronic Switch</td></tr> <tr><td>Temperature Range</td><td>31° - 64° F</td></tr> </table>	Cap Length	N/A	Type	Electronic Switch	Temperature Range	31° - 64° F		
Cap Length	12 1/2"																												
Type	Fixed																												
Temperature Range	31° - 39 1/2° F																												
Cap Length	24"																												
Type	Fixed																												
Temperature Range	27° - 35° F																												
Cap Length	9 1/2"																												
Type	Fixed																												
Temperature Range	31° - 39° F																												
Cap Length	N/A																												
Type	Electronic Switch																												
Temperature Range	31° - 64° F																												
<p>Part No. 2399017</p> <p>Thermistor Aspirator</p> 																													

Rotary Thermostat

<p>Part No. 2311001</p>  <table border="1"> <tr><td>Cap Length</td><td>66"</td></tr> <tr><td>Type</td><td>Variable</td></tr> <tr><td>Temperature Range</td><td>34° - 52° F</td></tr> <tr><td>Clutch Cycle Range</td><td>5°</td></tr> </table>	Cap Length	66"	Type	Variable	Temperature Range	34° - 52° F	Clutch Cycle Range	5°	<p>Part No. 2375001</p>  <table border="1"> <tr><td>Cap Length</td><td>18"</td></tr> <tr><td>Type</td><td>Variable</td></tr> <tr><td>Temperature Range</td><td>28° - 67° F</td></tr> <tr><td>Clutch Cycle Range</td><td>6°</td></tr> </table>	Cap Length	18"	Type	Variable	Temperature Range	28° - 67° F	Clutch Cycle Range	6°	<p>Part No. 2399004</p>  <table border="1"> <tr><td>Cap Length</td><td>36"</td></tr> <tr><td>Type</td><td>Variable</td></tr> <tr><td>Temperature Range</td><td>33° - 45° F</td></tr> </table>	Cap Length	36"	Type	Variable	Temperature Range	33° - 45° F	<p>Part No. 2399008</p>  <table border="1"> <tr><td>Cap Length</td><td>N/A</td></tr> <tr><td>Type</td><td>Air</td></tr> <tr><td>Temperature Range</td><td>60° - 92° F</td></tr> <tr><td>Clutch Cycle Range</td><td>5°</td></tr> </table>	Cap Length	N/A	Type	Air	Temperature Range	60° - 92° F	Clutch Cycle Range	5°
Cap Length	66"																																
Type	Variable																																
Temperature Range	34° - 52° F																																
Clutch Cycle Range	5°																																
Cap Length	18"																																
Type	Variable																																
Temperature Range	28° - 67° F																																
Clutch Cycle Range	6°																																
Cap Length	36"																																
Type	Variable																																
Temperature Range	33° - 45° F																																
Cap Length	N/A																																
Type	Air																																
Temperature Range	60° - 92° F																																
Clutch Cycle Range	5°																																

Rotary Thermostat (continued)

Part No. 2399018	Part No. 2399019	Part No. 2399020	Part No. 2399021
			
Cap Length 48" Type Variable Temperature Range 30° - 65°F	Cap Length 48" Type Variable Temperature Range 34° - 52°F Clutch Cycle Range 5°	Cap Length 36" Type Variable Temperature Range 33° - 70°F	Cap Length 30" Type Variable Temperature Range 30° - 62°F Clutch Cycle Range 8°

Control Knobs

Part No. 2512006 	Part No. 2512007 	Part No. 2575002 3/8" 10-32 	Part No. 2575003 Setscrew, 17/32" Mounting Depth 
Part No. 2575004 Setscrew 	Part No. 2575005 Setscrew, 1/2" Mounting Depth, 3/16" Diameter for Shaft 	Part No. 2575006 Setscrew, 1/2" Mounting Depth, 1/4" Diameter for Shaft 	Part No. 2575007 Push On 
Part No. 2575008 Setscrew, 7/16" Mounting Depth 	Part No. 2575009 Setscrew, 29/64" Mounting Depth 	Part No. 2575010 Setscrew 	Part No. 2575011 Setscrew 
Part No. 2575020 Knob 	Part No. 2599023 Push On, 1/2" Mounting Depth 	Part No. 2599024 Setscrew, 9/16" Mounting Depth 	Part No. 2599025 Setscrew 

SWITCHES



Control Knobs (continued)

SWITCHES



<p>Part No. 2599026 Push On, 1/2" Mounting Depth</p> 	<p>Part No. 2599027 Push On, 5/64" x 1/4" Slot</p> 	<p>Part No. 2599028 Setscrew, 5/8" Mounting Depth</p> 	<p>Part No. 2599029 Push On</p> 
<p>Part No. 2599030 Push On, 1/2" Mounting Depth</p> 	<p>Part No. 2599031 3/8" 10-32</p> 	<p>Part No. 2599032 Setscrew, 5/8" Mounting Depth</p> 	<p>Part No. 2599033 Threaded</p> 
<p>Part No. 2599034 Push On, 3/8" Mounting Depth</p> 	<p>Part No. 2599035</p> 	<p>Part No. 2599036 Switch Knob Press Fit</p> 	<p>Part No. 2599037 Control Lever Knob Press Fit</p> 
<p>Part No. 2599038 1/4" Shaft & Set Screw</p> 	<p>Part No. 2599040 Cold Switch Knob</p> 	<p>Part No. 2599041 Heater and A/C Knob</p> 	<p>Part No. 2599042 No. 8 - 32 Threads</p> 
<p>Part No. 2599043 No. 10 - 32 Threads</p> 	<p>Part No. 2599044 Knob</p> 	<p>Part No. 2599048 Knob Caterpillar # 2V0099-003</p> 	