



Model 5000



Model

Part

5000-12V

500012

5000-24V

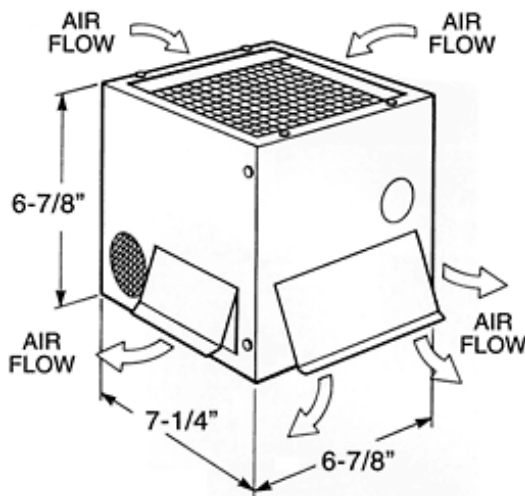
500024

Features:

- High Efficiency Heating
- Multi-speed Fan Control Switch with Dash - Mount Bracket
- Capable of Providing Windshield Defrost
- Rigid Steel Case With Black Finish
- Heavy-duty, Long Life Motor
- Mounting Studs and Water Hose Connections at Rear
- Compact Design
- Optional Installation Kits:
[64006, KT-12 Hose Kit \(150"\)](#)

Service Parts:

Part Name	Part #
5000-12V Motor	53005
5000-24V Motor	53006
Coil	61315
Fan Blade	61320
Cover Assembly	61312
Body Assembly	61311
Switch	61325



Model No. 5000

Heating: 12,500 btu/hr.

Air Flow Heating: 130 cfm

Air Flow Defrosting: 35 cfm

Power Requirements: 1.5 amps @ 12 volts
.75 amps @ 24 volts

Case Material: 22 ga. c.r. Steel

Core Material: Tube and Fin

Fan Material: Aluminum

Fittings: Bead

Mounting: Rear Mounting Studs

Dimensions: Height: 6-7/8"
Length: 6-7/8"
Depth: 7-1/4"