

VALVES/CONTROLS

- EXPANSION VALVES
- WATER VALVES
- HEATER CONTROLS
- ORIFICE TUBES

EXPANSION VALVES










PARTS

BLOCK VALVES

Part #	Hose	Evaporator	Evaporator	Hose	Ton	S.H.	Notes	OEM #s
	Inlet	Inlet	Outlet	Outlet				
406427	#6 FIOR	#8 FIOR	#10 FIOR	#10 FIOR	2.0			
407101	#6 FIOR	#8 FIOR	#10 FIOR	#10 FIOR	1.5			
407102	#6 FIOR	#8 FIOR	#10 FIOR	#10 FIOR	1.5			
407109	#6 FIOR	#8 FIOR	#10 FIOR	#10 FIOR	1.5		w/Schrader Ports	
407111	#6 FIOR	#8 FIOR	#10 FIOR	#10 FIOR	1.5		Bypass Bleed	
407413	#6 FIOR	#8 FIOR	#10 FIOR	#10 FIOR	2.0			
407431	#6 FIOR	#8 FIOR	#10 FIOR	#10 FIOR	2.0			
405017	#6 FIOR	#8 FIOR	#8 FIOR	#10 FIOR	1.5	8.0		
405018	#6 FIOR	#8 FIOR	#8 FIOR	#10 FIOR	2.0	5.0		
405061	#6 FIOR	#8 FIOR	#8 FIOR	#10 FIOR	2.5	5.0		
407100	#6 FIOR	#8 FIOR	#8 FIOR	#10 FIOR	1.5		Threaded Mounting Holes	
407103	#6 FIOR	#8 FIOR	#8 FIOR	#10 FIOR	1.5		w/Schrader Port	
407104	#6 FIOR	#8 FIOR	#8 FIOR	#10 FIOR	1.5		# R-12	
407110	#6 FIOR	#8 FIOR	#8 FIOR	#10 FIOR	1.5		Single Mounting Hole	644007.01
407112	#6 FIOR	#8 FIOR	#8 FIOR	#10 FIOR	1.5		w/Schrader Port	Navistar 1696846C3
407105	#6 FIOR	#8 FIOR	#8 FIOR	#10 FIOR	2.0		w/Schrader Port	Navistar 2501794C92
407114	#6 Flange	# 8 Flange	# 10 Flange	#10 Flange	1.5			Freightliner ABP N83 308231
406385	#6 Flange	# 8 Flange	# 8 Flange	# 8 Flange	1.5			Komatsu ND447500-1031
407106	#6 Flange	# 8 Flange	# 8 Flange	#10 Flange	1.5			
407444	#6 Flange	# 8 Flange	# 8 Flange	#10 Flange	1.5		Mini-Block	
406502	#6 Flange	# 8 Flange	#10 Flange	#12 Flange	1.5		Parker	Volvo; JD RE57575
407388	#6 Flange	#8 Flange	#10 Flange	#12 Flange	1.5		TGK	JD RE174764
407107	#6 Plate	#8 Plate	#8 Plate	#10 Plate	1.5			
407457								Liebherr 7025110
407576								Volvo CE 11711958

All Valves are R134A unless noted with a #



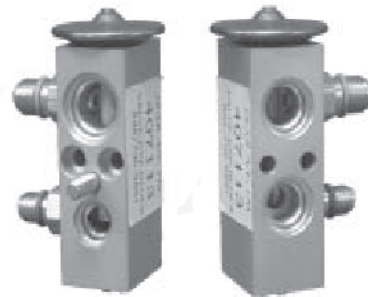






BLOCK VALVES

<p>405017</p>  <table border="1"> <thead> <tr> <th>Evap Inlet</th> <th>Evap Outlet</th> <th></th> </tr> </thead> <tbody> <tr> <td>#8 FIOR</td> <td>#8 FIOR</td> <td></td> </tr> <tr> <th>Hose Inlet</th> <th>Hose Outlet</th> <th>Tonnage</th> </tr> <tr> <td>#6 FIOR</td> <td>#10 FIOR</td> <td>1.5</td> </tr> </tbody> </table>	Evap Inlet	Evap Outlet		#8 FIOR	#8 FIOR		Hose Inlet	Hose Outlet	Tonnage	#6 FIOR	#10 FIOR	1.5	<p>405018</p>  <table border="1"> <thead> <tr> <th>Evap Inlet</th> <th>Evap Outlet</th> <th></th> </tr> </thead> <tbody> <tr> <td>#8 FIOR</td> <td>#8 FIOR</td> <td></td> </tr> <tr> <th>Hose Inlet</th> <th>Hose Outlet</th> <th>Tonnage</th> </tr> <tr> <td>#6 FIOR</td> <td>#10 FIOR</td> <td>2</td> </tr> </tbody> </table>	Evap Inlet	Evap Outlet		#8 FIOR	#8 FIOR		Hose Inlet	Hose Outlet	Tonnage	#6 FIOR	#10 FIOR	2	<p>405061</p>  <table border="1"> <thead> <tr> <th>Evap Inlet</th> <th>Evap Outlet</th> <th></th> </tr> </thead> <tbody> <tr> <td>#8 FIOR</td> <td>#8 FIOR</td> <td></td> </tr> <tr> <th>Hose Inlet</th> <th>Hose Outlet</th> <th>Tonnage</th> </tr> <tr> <td>#6 FIOR</td> <td>#10 FIOR</td> <td>2.5</td> </tr> </tbody> </table>	Evap Inlet	Evap Outlet		#8 FIOR	#8 FIOR		Hose Inlet	Hose Outlet	Tonnage	#6 FIOR	#10 FIOR	2.5
Evap Inlet	Evap Outlet																																					
#8 FIOR	#8 FIOR																																					
Hose Inlet	Hose Outlet	Tonnage																																				
#6 FIOR	#10 FIOR	1.5																																				
Evap Inlet	Evap Outlet																																					
#8 FIOR	#8 FIOR																																					
Hose Inlet	Hose Outlet	Tonnage																																				
#6 FIOR	#10 FIOR	2																																				
Evap Inlet	Evap Outlet																																					
#8 FIOR	#8 FIOR																																					
Hose Inlet	Hose Outlet	Tonnage																																				
#6 FIOR	#10 FIOR	2.5																																				
<p>406385</p>  <p>Komatsu ND447500-1031</p> <table border="1"> <thead> <tr> <th>Evap Inlet</th> <th>Evap Outlet</th> <th></th> </tr> </thead> <tbody> <tr> <td># 8 Flange</td> <td># 8 Flange</td> <td></td> </tr> <tr> <th>Hose Inlet</th> <th>Hose Outlet</th> <th>Tonnage</th> </tr> <tr> <td>#6 Flange</td> <td># 8 Flange</td> <td>1.5</td> </tr> </tbody> </table>	Evap Inlet	Evap Outlet		# 8 Flange	# 8 Flange		Hose Inlet	Hose Outlet	Tonnage	#6 Flange	# 8 Flange	1.5	<p>406427</p>  <p>Case 040138-133</p> <table border="1"> <thead> <tr> <th>Evap Inlet</th> <th>Evap Outlet</th> <th></th> </tr> </thead> <tbody> <tr> <td>#8 FIOR</td> <td>#10 FIOR</td> <td></td> </tr> <tr> <th>Hose Inlet</th> <th>Hose Outlet</th> <th>Tonnage</th> </tr> <tr> <td>#6 FIOR</td> <td>#10 FIOR</td> <td>2.0</td> </tr> </tbody> </table>	Evap Inlet	Evap Outlet		#8 FIOR	#10 FIOR		Hose Inlet	Hose Outlet	Tonnage	#6 FIOR	#10 FIOR	2.0	<p>406502</p>  <p>Volvo; JD RE57575</p> <table border="1"> <thead> <tr> <th>Evap Inlet</th> <th>Evap Outlet</th> <th></th> </tr> </thead> <tbody> <tr> <td># 8 Flange</td> <td># 10 Flange</td> <td></td> </tr> <tr> <th>Hose Inlet</th> <th>Hose Outlet</th> <th>Tonnage</th> </tr> <tr> <td>#6 Flange</td> <td>#12 Flange</td> <td>1.5</td> </tr> </tbody> </table>	Evap Inlet	Evap Outlet		# 8 Flange	# 10 Flange		Hose Inlet	Hose Outlet	Tonnage	#6 Flange	#12 Flange	1.5
Evap Inlet	Evap Outlet																																					
# 8 Flange	# 8 Flange																																					
Hose Inlet	Hose Outlet	Tonnage																																				
#6 Flange	# 8 Flange	1.5																																				
Evap Inlet	Evap Outlet																																					
#8 FIOR	#10 FIOR																																					
Hose Inlet	Hose Outlet	Tonnage																																				
#6 FIOR	#10 FIOR	2.0																																				
Evap Inlet	Evap Outlet																																					
# 8 Flange	# 10 Flange																																					
Hose Inlet	Hose Outlet	Tonnage																																				
#6 Flange	#12 Flange	1.5																																				
<p>407100</p>  <p>Threaded Mounting Holes</p> <table border="1"> <thead> <tr> <th>Evap Inlet</th> <th>Evap Outlet</th> <th></th> </tr> </thead> <tbody> <tr> <td>#8 FIOR</td> <td>#8 FIOR</td> <td></td> </tr> <tr> <th>Hose Inlet</th> <th>Hose Outlet</th> <th>Tonnage</th> </tr> <tr> <td>#6 FIOR</td> <td>#10 FIOR</td> <td>1.5</td> </tr> </tbody> </table>	Evap Inlet	Evap Outlet		#8 FIOR	#8 FIOR		Hose Inlet	Hose Outlet	Tonnage	#6 FIOR	#10 FIOR	1.5	<p>407101</p>  <table border="1"> <thead> <tr> <th>Evap Inlet</th> <th>Evap Outlet</th> <th></th> </tr> </thead> <tbody> <tr> <td>#8 FIOR</td> <td>#10 FIOR</td> <td></td> </tr> <tr> <th>Hose Inlet</th> <th>Hose Outlet</th> <th>Tonnage</th> </tr> <tr> <td>#6 FIOR</td> <td>#10 FIOR</td> <td>1.5</td> </tr> </tbody> </table>	Evap Inlet	Evap Outlet		#8 FIOR	#10 FIOR		Hose Inlet	Hose Outlet	Tonnage	#6 FIOR	#10 FIOR	1.5	<p>407102</p>  <table border="1"> <thead> <tr> <th>Evap Inlet</th> <th>Evap Outlet</th> <th></th> </tr> </thead> <tbody> <tr> <td>#8 FIOR</td> <td>#10 FIOR</td> <td></td> </tr> <tr> <th>Hose Inlet</th> <th>Hose Outlet</th> <th>Tonnage</th> </tr> <tr> <td>#6 FIOR</td> <td>#10 FIOR</td> <td>1.5</td> </tr> </tbody> </table>	Evap Inlet	Evap Outlet		#8 FIOR	#10 FIOR		Hose Inlet	Hose Outlet	Tonnage	#6 FIOR	#10 FIOR	1.5
Evap Inlet	Evap Outlet																																					
#8 FIOR	#8 FIOR																																					
Hose Inlet	Hose Outlet	Tonnage																																				
#6 FIOR	#10 FIOR	1.5																																				
Evap Inlet	Evap Outlet																																					
#8 FIOR	#10 FIOR																																					
Hose Inlet	Hose Outlet	Tonnage																																				
#6 FIOR	#10 FIOR	1.5																																				
Evap Inlet	Evap Outlet																																					
#8 FIOR	#10 FIOR																																					
Hose Inlet	Hose Outlet	Tonnage																																				
#6 FIOR	#10 FIOR	1.5																																				

EXPANSION VALVES

PARTS

BLOCK VALVES

<p>407103</p>  <p>w/Schrader Port</p>	<p>407104</p>  <p>R-12</p>	<p>407105</p>  <p>w/Schrader Port</p>																														
<table border="1"> <tr><th>Evap Inlet</th><th>Evap Outlet</th></tr> <tr><td>#8 FIOR</td><td>#8 FIOR</td></tr> <tr><th>Hose Inlet</th><th>Hose Outlet</th><th>Tonnage</th></tr> <tr><td>#6 FIOR</td><td>#10 FIOR</td><td>1.5</td></tr> </table>	Evap Inlet	Evap Outlet	#8 FIOR	#8 FIOR	Hose Inlet	Hose Outlet	Tonnage	#6 FIOR	#10 FIOR	1.5	<table border="1"> <tr><th>Evap Inlet</th><th>Evap Outlet</th></tr> <tr><td>#8 FIOR</td><td>#8 FIOR</td></tr> <tr><th>Hose Inlet</th><th>Hose Outlet</th><th>Tonnage</th></tr> <tr><td>#6 FIOR</td><td>#10 FIOR</td><td>1.5</td></tr> </table>	Evap Inlet	Evap Outlet	#8 FIOR	#8 FIOR	Hose Inlet	Hose Outlet	Tonnage	#6 FIOR	#10 FIOR	1.5	<table border="1"> <tr><th>Evap Inlet</th><th>Evap Outlet</th></tr> <tr><td>#8 FIOR</td><td>#8 FIOR</td></tr> <tr><th>Hose Inlet</th><th>Hose Outlet</th><th>Tonnage</th></tr> <tr><td>#6 FIOR</td><td>#10 FIOR</td><td>2</td></tr> </table>	Evap Inlet	Evap Outlet	#8 FIOR	#8 FIOR	Hose Inlet	Hose Outlet	Tonnage	#6 FIOR	#10 FIOR	2
Evap Inlet	Evap Outlet																															
#8 FIOR	#8 FIOR																															
Hose Inlet	Hose Outlet	Tonnage																														
#6 FIOR	#10 FIOR	1.5																														
Evap Inlet	Evap Outlet																															
#8 FIOR	#8 FIOR																															
Hose Inlet	Hose Outlet	Tonnage																														
#6 FIOR	#10 FIOR	1.5																														
Evap Inlet	Evap Outlet																															
#8 FIOR	#8 FIOR																															
Hose Inlet	Hose Outlet	Tonnage																														
#6 FIOR	#10 FIOR	2																														
<p>407107</p> 	<p>407109</p>  <p>w/Schrader Ports</p>	<p>407106</p> 																														
<table border="1"> <tr><th>Evap Inlet</th><th>Evap Outlet</th></tr> <tr><td>#8 Plate</td><td>#8 Plate</td></tr> <tr><th>Hose Inlet</th><th>Hose Outlet</th><th>Tonnage</th></tr> <tr><td>#6 Plate</td><td>#10 Plate</td><td>1.5</td></tr> </table>	Evap Inlet	Evap Outlet	#8 Plate	#8 Plate	Hose Inlet	Hose Outlet	Tonnage	#6 Plate	#10 Plate	1.5	<table border="1"> <tr><th>Evap Inlet</th><th>Evap Outlet</th></tr> <tr><td>#8 FIOR</td><td>#10 FIOR</td></tr> <tr><th>Hose Inlet</th><th>Hose Outlet</th><th>Tonnage</th></tr> <tr><td>#6 FIOR</td><td>#10 FIOR</td><td>1.5</td></tr> </table>	Evap Inlet	Evap Outlet	#8 FIOR	#10 FIOR	Hose Inlet	Hose Outlet	Tonnage	#6 FIOR	#10 FIOR	1.5	<table border="1"> <tr><th>Evap Inlet</th><th>Evap Outlet</th></tr> <tr><td>#8 Flange</td><td>#8 Flange</td></tr> <tr><th>Hose Inlet</th><th>Hose Outlet</th><th>Tonnage</th></tr> <tr><td>#6 Flange</td><td>#10 Flange</td><td>1.5</td></tr> </table>	Evap Inlet	Evap Outlet	#8 Flange	#8 Flange	Hose Inlet	Hose Outlet	Tonnage	#6 Flange	#10 Flange	1.5
Evap Inlet	Evap Outlet																															
#8 Plate	#8 Plate																															
Hose Inlet	Hose Outlet	Tonnage																														
#6 Plate	#10 Plate	1.5																														
Evap Inlet	Evap Outlet																															
#8 FIOR	#10 FIOR																															
Hose Inlet	Hose Outlet	Tonnage																														
#6 FIOR	#10 FIOR	1.5																														
Evap Inlet	Evap Outlet																															
#8 Flange	#8 Flange																															
Hose Inlet	Hose Outlet	Tonnage																														
#6 Flange	#10 Flange	1.5																														
<p>407110</p>  <p>Single Mounting Hole</p>	<p>407111</p>  <p>Bypass Bleed</p>	<p>407112</p>  <p>w/Schrader Port</p>																														
<p>644007.01</p> <table border="1"> <tr><th>Evap Inlet</th><th>Evap Outlet</th></tr> <tr><td>#8 FIOR</td><td>#8 FIOR</td></tr> <tr><th>Hose Inlet</th><th>Hose Outlet</th><th>Tonnage</th></tr> <tr><td>#6 FIOR</td><td>#10 FIOR</td><td>1.5</td></tr> </table>	Evap Inlet	Evap Outlet	#8 FIOR	#8 FIOR	Hose Inlet	Hose Outlet	Tonnage	#6 FIOR	#10 FIOR	1.5	<table border="1"> <tr><th>Evap Inlet</th><th>Evap Outlet</th></tr> <tr><td>#8 FIOR</td><td>#10 FIOR</td></tr> <tr><th>Hose Inlet</th><th>Hose Outlet</th><th>Tonnage</th></tr> <tr><td>#6 FIOR</td><td>#10 FIOR</td><td>1.5</td></tr> </table>	Evap Inlet	Evap Outlet	#8 FIOR	#10 FIOR	Hose Inlet	Hose Outlet	Tonnage	#6 FIOR	#10 FIOR	1.5	<table border="1"> <tr><th>Evap Inlet</th><th>Evap Outlet</th></tr> <tr><td>#8 FIOR</td><td>#8 FIOR</td></tr> <tr><th>Hose Inlet</th><th>Hose Outlet</th><th>Tonnage</th></tr> <tr><td>#6 FIOR</td><td>#10 FIOR</td><td>1.5</td></tr> </table>	Evap Inlet	Evap Outlet	#8 FIOR	#8 FIOR	Hose Inlet	Hose Outlet	Tonnage	#6 FIOR	#10 FIOR	1.5
Evap Inlet	Evap Outlet																															
#8 FIOR	#8 FIOR																															
Hose Inlet	Hose Outlet	Tonnage																														
#6 FIOR	#10 FIOR	1.5																														
Evap Inlet	Evap Outlet																															
#8 FIOR	#10 FIOR																															
Hose Inlet	Hose Outlet	Tonnage																														
#6 FIOR	#10 FIOR	1.5																														
Evap Inlet	Evap Outlet																															
#8 FIOR	#8 FIOR																															
Hose Inlet	Hose Outlet	Tonnage																														
#6 FIOR	#10 FIOR	1.5																														

AXL

PARTS

BLOCK VALVES

407114



Freightliner ABP N83 308231

Evap Inlet	Evap Outlet	
# 8 Flange	# 10 Flange	
Hose Inlet	Hose Outlet	Tonnage
#6 Flange	#10 Flange	1.5

407388

JD RE174764

Evap Inlet	Evap Outlet	
# 8 Flange	#10 Flange	
Hose Inlet	Hose Outlet	Tonnage
#6 Flange	#12 Flange	1.5

407413

Evap Inlet	Evap Outlet	
#8 FIOR	#10 FIOR	
Hose Inlet	Hose Outlet	Tonnage
#6 FIOR	#10 FIOR	2.0

407431



Evap Inlet	Evap Outlet	
#8 FIOR	#10 FIOR	
Hose Inlet	Hose Outlet	Tonnage
#6 FIOR	#10 FIOR	2.0

407444



Evap Inlet	Evap Outlet	
#8 FLANGE	#10 FLANGE	
Hose Inlet	Hose Outlet	Tonnage
#6 FLANGE	#10 FLANGE	1.5

407457

Liebherr 7025110

Evap Inlet	Evap Outlet	
Hose Inlet	Hose Outlet	Tonnage

407576

VOLVO CE 11711958

Evap Inlet	Evap Outlet	
Hose Inlet	Hose Outlet	Tonnage

TXV

ORIFICE TUBES


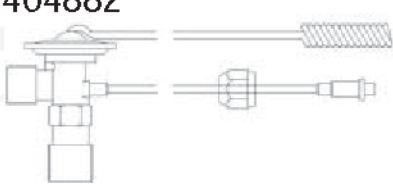



<p>406231</p>  <p>WHITE</p> <p>0.072" ORIFICE</p>	<p>406232</p>  <p>BLACK</p> <p>0.072" ORIFICE</p>	<p>406233</p>  <p>BLUE</p> <p>0.067" ORIFICE</p>	<p>406234</p>  <p>ORANGE</p> <p>0.057" ORIFICE</p>	<p>406235</p>  <p>RED</p> <p>0.062" ORIFICE</p>
<p>407579</p>  <p>PURPLE NAVISTAR</p> <p>0.072" ORIFICE</p>				

406231
406232
406233
406234
406235
407579

ORIFICE TUBES


EXTERNALLY EQUALIZED VALVES

PART #	CAP (TONS)	SUPER HEAT	Inlet	Outlet	EQUAL.TUBE	EQUAL.TUBE NUT	CAP.TUBE
406380	1.5	5	#6 MFL	#8 MFL	12	1/4" FFL	12
406570	1.5	8	#6 MIOR	#8 MIOR	18	1/4" MOR	30
407099	1.5	5	#6 MIOR	#8 MIOR	33	1/4" MOR	33
404603	1.5	10	#6 MIOR	#8 MIOR	13.25"	1/4" FOR	13"
404882	1.5	8	#6 MIOR	#8 MIOR	13"	1/4" FOR	13.5"
404893	2.0	5	#6 MIOR	#8 MIOR	9.75"	1/4" FOR	9.9"

<p>404603</p>  <table border="1"> <thead> <tr> <th>Inlet</th> <th>Outlet</th> <th>Tonnage</th> </tr> </thead> <tbody> <tr> <td>#6 MIOR</td> <td>#8 MIOR</td> <td>1.5</td> </tr> </tbody> </table>	Inlet	Outlet	Tonnage	#6 MIOR	#8 MIOR	1.5	<p>404882</p>  <table border="1"> <thead> <tr> <th>Inlet</th> <th>Outlet</th> <th>Tonnage</th> </tr> </thead> <tbody> <tr> <td>#6 MIOR</td> <td>#8 MIOR</td> <td>1.5</td> </tr> </tbody> </table>	Inlet	Outlet	Tonnage	#6 MIOR	#8 MIOR	1.5	<p>404893</p>  <table border="1"> <thead> <tr> <th>Inlet</th> <th>Outlet</th> <th>Tonnage</th> </tr> </thead> <tbody> <tr> <td>#6 MIOR</td> <td>#8 MIOR</td> <td>2.0</td> </tr> </tbody> </table>	Inlet	Outlet	Tonnage	#6 MIOR	#8 MIOR	2.0
Inlet	Outlet	Tonnage																		
#6 MIOR	#8 MIOR	1.5																		
Inlet	Outlet	Tonnage																		
#6 MIOR	#8 MIOR	1.5																		
Inlet	Outlet	Tonnage																		
#6 MIOR	#8 MIOR	2.0																		
<p>406380</p> <p>PHOTO NOT AVAILABLE</p> <table border="1"> <thead> <tr> <th>Inlet</th> <th>Outlet</th> </tr> </thead> <tbody> <tr> <td>#6 MFL</td> <td>#8 MFL</td> </tr> </tbody> </table>	Inlet	Outlet	#6 MFL	#8 MFL	<p>406570</p>  <table border="1"> <thead> <tr> <th>Inlet</th> <th>Outlet</th> </tr> </thead> <tbody> <tr> <td>#6 MIOR</td> <td>#8 MIOR</td> </tr> </tbody> </table>	Inlet	Outlet	#6 MIOR	#8 MIOR	<p>407099</p>  <table border="1"> <thead> <tr> <th>Inlet</th> <th>Outlet</th> </tr> </thead> <tbody> <tr> <td>#6 MIOR</td> <td>#8 MIOR</td> </tr> </tbody> </table>	Inlet	Outlet	#6 MIOR	#8 MIOR						
Inlet	Outlet																			
#6 MFL	#8 MFL																			
Inlet	Outlet																			
#6 MIOR	#8 MIOR																			
Inlet	Outlet																			
#6 MIOR	#8 MIOR																			

INTERNALLY EQUALIZED VALVES

PART #	CAP (TONS)	SUPER HEAT	Inlet	Outlet	EQUAL.TUBE	EQUAL.TUBE NUT	CAP.TUBE
407165	1.5	8	#6 MFL	#8 MFL	N/A	N/A	12
407166	1.5	8	#6 MFL	#8 MFL	N/A	N/A	30
405168	1.5	6.5	#6 MIOR	#8 MIOR	N/A	N/A	9"
406384	1.5	5	M16	M20	N/A	N/A	9.9"
407168	1.5	12	M16	M20	N/A	N/A	16.5
407167	1.5	4.5	M18	M20	N/A	N/A	16.5

<p>405168</p>  <table border="1"> <thead> <tr> <th>Inlet</th> <th>Outlet</th> </tr> </thead> <tbody> <tr> <td>#6 MIOR</td> <td>#8 MIOR</td> </tr> </tbody> </table>	Inlet	Outlet	#6 MIOR	#8 MIOR	<p>406384</p>  <p>KOMATSU 425-963-2180</p> <table border="1"> <thead> <tr> <th>Inlet</th> <th>Outlet</th> </tr> </thead> <tbody> <tr> <td>#6 MIOR</td> <td>#8 MIOR</td> </tr> </tbody> </table>	Inlet	Outlet	#6 MIOR	#8 MIOR	<p>407165 - 12" Cap 407166 - 30" Cap</p>  <table border="1"> <thead> <tr> <th>Inlet</th> <th>Outlet</th> </tr> </thead> <tbody> <tr> <td>#6 MALE FLARE</td> <td>#8 MALE FLARE</td> </tr> </tbody> </table>	Inlet	Outlet	#6 MALE FLARE	#8 MALE FLARE	<p>407167 - M18 407168 - M16</p> <p>PHOTO NOT AVAILABLE</p> <table border="1"> <thead> <tr> <th>Inlet</th> <th>Outlet</th> </tr> </thead> <tbody> <tr> <td>SEE ABOVE</td> <td>M20</td> </tr> </tbody> </table>	Inlet	Outlet	SEE ABOVE	M20
Inlet	Outlet																		
#6 MIOR	#8 MIOR																		
Inlet	Outlet																		
#6 MIOR	#8 MIOR																		
Inlet	Outlet																		
#6 MALE FLARE	#8 MALE FLARE																		
Inlet	Outlet																		
SEE ABOVE	M20																		

WATER VALVES

PART #	TYPE	VALVE ACTION	PORTS	Orientation	Notes
405421	CABLE	CCW-OPEN	5/8" x 5/8"	180°	BERGSTROM
404208	CABLE	CW-OPEN	5/8" x 5/8"	180°	BERGSTROM
405323	CABLE	PULL TO CLOSE	5/8" x 5/8"	180°	PLASTIC
405841	CABLE	PULL TO CLOSE	5/8" x 5/8"	180°	BRASS
400449	CABLE	PUSH TO CLOSE	5/8" x 5/8"	180°	BRASS
406175	CABLE	PUSH TO CLOSE	5/8" x 5/8"	180°	PLASTIC
407235	CABLE	PULL TO CLOSE	5/8" X 5/8" Flow Restrictd	180°	PLASTIC
407236	CABLE	PUSH TO CLOSE	5/8" X 5/8" Flow Restrictd	180°	PLASTIC
407237	CABLE	PUSH TO CLOSE	5/8" X 5/8" Flow Restrictd	180°	PLASTIC
407238	CABLE	PULL TO CLOSE	5/8" X 5/8" Flow Restrictd	180°	PLASTIC
407239	CABLE	PULL TO CLOSE	5/8" X 5/8" Flow Restrictd	90°	PLASTIC
407289	CABLE	PUSH TO CLOSE	5/8" X 5/8"	180°	PLASTIC
407290	CABLE	PULL TO CLOSE	5/8" X 5/8"	90°	PLASTIC
406338	ELECTRIC		5/8" x 5/8"	180°	RANCO
406336	ELECTRIC		5/8" x 5/8"	BYPASS	CEI
406337	ELECTRIC		5/8" x 5/8"	BYPASS	EATON
405482	KNOB	CCW-OPEN	5/8" x 5/8"	180°	BERGSTROM
404646	KNOB	CW-OPEN	5/8" x 5/8"	180°	BERGSTROM
406176	KNOB	CW-OPEN	5/8" x 5/8"	180°	BRASS
450748	KNOB	CCW TO CLOSE	5/8" x 5/8"	360°	BRASS
405855	KNOB	CW-OPEN	5/8" x 5/8"	360°	BRASS
404978	SHUTOFF	CCW-OPEN	1/2" NPT FEM	180°	BRASS
403593	SHUTOFF	CCW-OPEN	3/8" NPT FEM	180°	BRASS
407303	SHUTOFF	CCW-OPEN	3/8" NPT FEM	180°	BRASS
406391	SHUTOFF	CCW-OPEN	3/8" NPT MALEX 3/8" NPT FEM	90°	BRASS
405736	SHUTOFF	CCW-OPEN	5/8" X 3/8" NPT MALE	90°	BRASS
402971	SOLENOID, 12V	NORMALLY CLOSED	1/4NPT SIDE	180°	BRASS
405696	SOLENOID, 12V	NORMALLY OPEN	3/4" HOSE	180°	BOSCH
403185	SOLENOID, 12V	NORMALLY CLOSED	1/4NPT SIDE & BOT	90°	BRASS
402937	SOLENOID, 24V	NORMALLY CLOSED	1/4NPT SIDE	180°	BRASS
405663	SOLENOID, 24V	NORMALLY OPEN	3/4" HOSE	360°	BOSCH
403186	SOLENOID, 24V	NORMALLY CLOSED	1/4NPT SIDE & BOT	90°	BRASS
407549	AIR		5/8" X 5/8"	90°	PLASTIC

WATER VALVES

400449



Type	Action
CABLE	PUSH TO CLOSE
Ports	5/8" x 5/8"

402937



Type	Action
SOLENOID, 24V	NORMALLY CLOSED
Ports	1/4NPT SIDE

402971



Type	Action
SOLENOID, 12V	NORMALLY CLOSED
Ports	1/4NPT SIDE

403185




Type	Action
SOLENOID, 12V	NORMALLY CLOSED
Ports	1/4NPT SIDE & BOT

PARTS


WATER VALVES & CONTROLS

403186




Type	Action
SOLENOID, 24V	NORMALLY CLOSED
Ports	
1/4NPT SIDE & BOT	

403593




Type	Action
SHUTOFF	CCW-OPEN
Ports	
3/8" NPT FEM	

404208




Type	Action
CABLE	CW-OPEN
Ports	
5/8" x 5/8"	

404646




Type	Action
KNOB	CW-OPEN
Ports	
5/8" x 5/8"	

404978



Type	Action
SHUTOFF	CCW-OPEN
Ports	
1/2" NPT FEM	


405323



REQUIRES 405400 CLIP


Type	Action
CABLE	PULL TO CLOSE
Ports	
5/8" x 5/8"	

405421




Type	Action
CABLE	CCW-OPEN
Ports	
5/8" x 5/8"	

405482



Type	Action
KNOB	CCW-OPEN
Ports	
5/8" x 5/8"	

405663



Type	Action
SOLENOID, 24V	NORMALLY OPEN
Ports	
3/4" HOSE	

405696



Type	Action
SOLENOID, 12V	NORMALLY OPEN
Ports	
3/4" HOSE	

405736



Type	Action
SHUTOFF	CCW-OPEN
Ports	
5/8" X 3/8" NPT MALE	

405841



Type	Action
CABLE	PULL TO CLOSE
Ports	
5/8" x 5/8"	

405855



Type	Action
KNOB	CW-OPEN
Ports	
5/8" x 5/8"	

406175



REQUIRES 405400 CLIP

Type	Action
CABLE	PUSH TO CLOSE
Ports	
5/8" x 5/8"	

406176




Type	Action
KNOB	CW-OPEN
Ports	
5/8" x 5/8"	

406336




Type	Action
ELECTRIC	
Ports	
5/8" x 5/8"	

406337




Type	Action
ELECTRIC	
Ports	
5/8" x 5/8" RD 72R7105	

406338




Type	Action
ELECTRIC	
Ports	
5/8" x 5/8" RD 72R7005	

406391



Type	Action
SHUTOFF	CCW-OPEN
Ports	
3/8" NPT MALE X 3/8" NPT FEM	

407235




FLOW-RESTRICTED

Type	Action
CABLE	PUSH TO OPEN
Ports	
1/2" NPT FEM	

WATER VALVES

407236




FLOW-RESTRICTED

Type	Action
CABLE	PUSH TO CLOSE

Ports
5/8" x 5/8"

407237




FLOW-RESTRICTED

Type	Action
CABLE	PUSH TO CLOSE

Ports
5/8" x 5/8"

407238




FLOW-RESTRICTED

Type	Action
CABLE	PULL TO CLOSE

Ports
5/8" x 5/8"

407239




FLOW-RESTRICTED

Type	Action
CABLE	PULL TO CLOSE

Ports
5/8" x 5/8"

407288




FLOW-RESTRICTED

Type	Action
CABLE	PUSH TO CLOSE

Ports
5/8" x 5/8"

407289




FLOW-RESTRICTED

Type	Action
CABLE	PULL TO CLOSE

Ports
5/8" x 5/8"

407303




SHUTOFF

Type	Action
SHUTOFF	CCW-OPEN

Ports
5/8" X 3/8" NPT MALE

407549



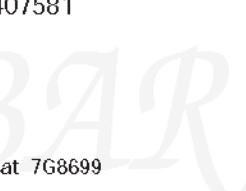
AIR

Type	Action
AIR	PULL TO CLOSE

Ports
5/8" x 5/8"

407581


Cat 7G8699



Type	Action
KNOB	CCW-OPEN

Ports
3/8" NPT FEM


407726



Type	Action
CABLE	PULL TO CLOSE

Ports
5/8" x 5/8"

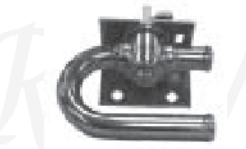
407727



Type	Action
CABLE	CCW-OPEN

Ports
3/4" x 3/4"


450748



Type	Action
KNOB	CCW TO CLOSE

Ports
5/8" x 5/8"

503983

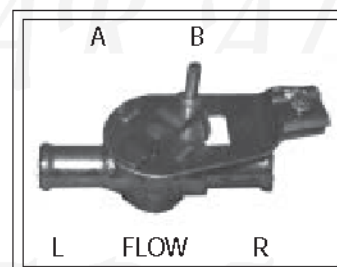


Type	Action
KNOB	CCW-OPEN

Ports
5/8" x 5/8" x 5/8" x 5/8"

UNIVERSAL CONTROL

Part #	A	B	FLOW	In x Out
400449	OFF	ON	R-L	5/8 x 5/8
405841	ON	OFF	L-R	5/8 x 5/8



1822 CONTROL HOUSING KIT

*Sheet Metal and Mounting Screws ONLY
Does NOT include Controls AS SHOWN

PARTS

CONTROLS

WATER VALVES

1767



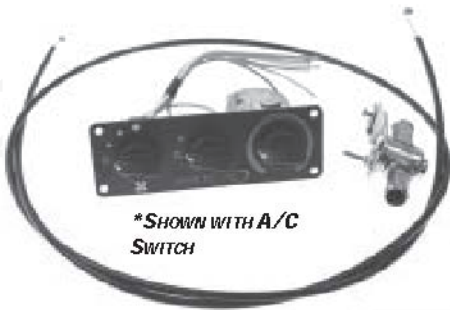
CABLE VLV,FAN/AC/HT

1778



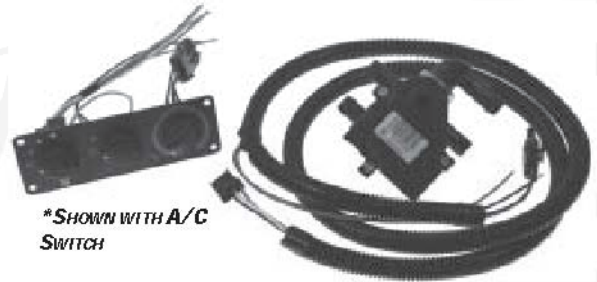
ELECT VLV,FAN/AC/HT,12V

1779



CABLE VLV,FAN/HT

1780



ELECT VLV,FAN/HT,12V

1785



ELECT WTR VLV,12V,W/ HARNESS,W/ POT

1786



ELECT WTR VLV,24V,W/ HARNESS,W/ POT

1787



ELECT VLV,FAN/AC/HT,24V

1788



ELECT VLV,FAN/HT,24V

CABLE CONTROLS

PART #	NOTES
404583	GEAR CONTROL 180 W/ CLICKER SPRING
405447	GEAR CONTROL 180 W/O CLICKER SPRING
405288	GEAR CONTROL 90 W/ CLICKER SPRING
406014	GEAR CONTROL 90 W/O CLICKER SPRING

404583



Type	Action
GEAR	CLICKER
Orientation	
180°	

405288



Type	Action
GEAR	CLICKER
Orientation	
90°	

405447



Type	Action
GEAR	NO CLICKER
Orientation	
180°	


406014



Type	Action
GEAR	NO CLICKER
Orientation	
90°	

AIR CONTROLS

406362



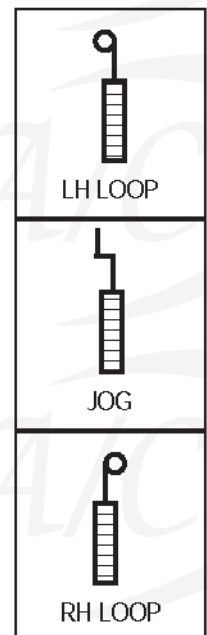
PETERBILT AIR SWITCH

Type	Action
AIR	TOGGLE
Ports	Orientation
1/4" X 1/4"	90°

CONTROL CABLES

Part #	1	2
421000	LH	LH
421001	LH	JOG
421002	LH	RH
421003	JOG	LH
421004	JOG	JOG
421005	JOG	RH
421006	RH	LH
421007	RH	JOG
421008	RH	RH

LENGTH MEASURED FROM CENTER OF LOOP OR BEND
 ADD LENGTH IN INCHES AS SUFFIX TO PART #
 (IE. 41" OF LH-LH IS 421000-041)



CONTROLS