

Fittings and Connectors

DESCRIPTION	PART#	NOTE
1/2" Hose 1/4" Male Pipe	2619	Hex Base
1/2" Hose 3/8" Male Pipe	2634	Slotted Head
3/4" Hose 3/8" Male Pipe	2632	Hex Base
3/4" Hose 1/2" Male Pipe	2605	Hex Base (short)
3/4" Hose 1/2" Male Pipe	2615	Hex Base (long)
3/4" Hose 3/4" Hose	2661	90° elbow
3/4" Hose 3/4" Male Pipe	2606	90° Elbow-hose end
3/4" Hose 3/4" Press-In	2626	2 1/2" Length
5/8" Hose 1/4" Male Pipe	2618	Hex Base
5/8" Hose 3/8" Male Pipe	2604	Hex Base
5/8" Hose 3/8" Male Pipe	2614	Hex Base
5/8" Hose 3/8" Male Pipe	2617	1 3/4" Length; Slotted
5/8" Hose 3/8" Male Pipe	2620	45° Elbow
5/8" Hose 3/8" Male Pipe	2628	90° elbow; Restrict Flow
5/8" Hose 1/2" Male Pipe	2603	Hex Base Short
5/8" Hose 1/2" Male Pipe	2608	w/ Hex
5/8" Hose 1/2" Male Pipe	2613	w/Slotted Head
5/8" Hose 1/2" Male Pipe	2616	Hex Base Long
5/8" Hose 1/2" Male Pipe	2631	90° elbow; Hex Base
5/8" Hose 1/2" Male Pipe	2633	45° elbow
5/8" Hose 1/2" NPT	2653	Connector Strairght
5/8" Hose 1/2" NPT	2657	90° elbow; 5/8" Hose
5/8" Hose #8 O'Ring	2659	3/4" -16 Thrd Conn Str
5/8" Hose #8 O'Ring	2662	3/4-16 Thrd. 90° elbow
5/8" Hose 3/4" Hose	2655	3/4" Hose - Step up
5/8" Hose 3/4" Hose	2656	90° elbow - Step up
5/8" Hose 3/4" NPT	2654	Connector Strairght
5/8" Hose 3/4" NPT	2658	90° elbow- Hose End
5/8" Hose 3/4" Press-In	2625	1 3/4" Length
5/8" Hose 3/4" Press-In	2627	2 1/2" Length
5/8" Hose 5/8" Hose	2650	Connector Straight
5/8" Hose 5/8" Hose	2651	Connector Straight
5/8" Hose 5/8" Hose	2652	Connector 90° elbow
5/8" Hose 5/8" Hose	2660	90° elbow Fitting
5/8" Hose 5/8" Press-In	2624	2 1/2" Length
1" Hose 1/2" Male Pipe	2630	Short Hex Fitting
1" Hose 3/4" Male Pipe	2607	90° Elbow hose end
1" Hose 3/4" Male Pipe	2612	Hex Base Fitting

Fitting Tee's and Splicers

DESCRIPTION	PART#	NOTE
1/2" Hose 1/2" Hose	2609	Splicer
3/4" Hose 5/8" Hose	2622	Splicer
5/8" Hose 1/2" Hose	2621	Splicer
5/8" Hose 5/8" Hose	2610	Splicer
5/8" Hose 5/8" Hose	2636	1/4" Branch Tee
5/8" Hose 5/8" Hose	2637	1/2" Branch Tee
5/8" Hose 5/8" Hose	2635	3/8" Female Pipe Thrd - Tee
5/8" or 3/4" Hose	2601	Plastic 3-Way Tee Splicer
3/4" Hose 3/4" Hose	2611	Splicer
3/4" Hose 1" Hose	2623	Splicer
1" Hose 1" Hose	2640	Splicer

Fitting Adapter

DESCRIPTION	PART#	NOTE
3/8" Female Pipe 1/2" Male Pipe	2602	Fitting Adapter

Drain Hose Fittings (see page 369)

DESCRIPTION	PART#	NOTE
1/2" Hose x 1/2" Hose	8530	90° Elbow; Hose Fitting
In-Line Splicer 1/2" Hose	8531	Plastic 3 - Way Tee Splicer
Duck Bill 5/8" Hole Size	8532	Drain Hose Duck Bill
Check Valve 1/2" Hose	8533	Plastic Check Valve

Duct Hose Fittings (see page 369)

DESCRIPTION	PART#	NOTE
2" Hose to 2 1/2" Hose	8550	Step-Up Splicer
2 1/2" Hose to 3" Hose	8551	Step-Up Splicer
2 1/2" Hose	8555	3-Way Tee Splicer
2 1/2" Hose, Pull to shutoff	8557	3-Way Tee Splicer

Heater Hose Fittings

				
2601 Fits 5/8" and 3/4" Heater Hose, Plastic	2602 3/8" Female x 1/2" Male Pipe Fitting Adapter	2603 5/8" Hose x 1/2" Male Pipe Hex Base (short)	2604 5/8" Hose x 3/8" Male Pipe Hex Base	2605 3/4" Hose x 1/2" Male PipeHex Base (short)

HEATER FITTINGS

HEATER PARTS

Heater Hose Fittings (continued)				
 <p>2606 3/4" Hose x 3/4" Male Pipe</p> <p>2607 1" Hose x 3/4" Male Pipe</p>	 <p>2608 5/8" Hose x 1/2" Male Pipe w/Hex</p>	 <p>Heater Hose Splicer 2609 1/2" I. D. 2610 5/8" I. D. 2611 3/4" I. D.</p>	 <p>2612 1" Hose x 3/4" Male Pipe Hex Base Fitting</p>	 <p>2613 5/8" Hose x 1/2" Male Pipe Slotted Head</p>
 <p>2614 5/8" Hose x 3/8" Male Pipe Hex Base</p>	 <p>2615 3/4" Hose x 1/2" Male Pipe Hex Base (long)</p>	 <p>2616 5/8" Hose x 1/2" Male Pipe Hex Base (long)</p>	 <p>2617 5/8" Hose x 3/8" Male Pipe Slotted Head 1 3/4" Long</p>	 <p>2618 5/8" Hose x 1/4" Male Pipe</p> <p>2619 1/2" Hose x 1/4" Male Pipe Hex Base</p>
 <p>2620 5/8" Hose x 3/8" Male Pipe 45° Elbow</p>	 <p>Spicer Fitting 2621 5/8" Hose x 1/2" Hose 2622 3/4" Hose x 5/8" Hose 2623 3/4" Hose x 1" Hose</p>	 <p>2624 5/8" Hose x 5/8" Hose Press End Fitting 2 1/2" Long</p>	 <p>2625 5/8" Hose x 3/4" Hose Press Fitting 1 3/4" Long</p>	 <p>2626 3/4" Hose x 3/4" Hose Press Fitting 1 3/4" Long</p>
 <p>2627 5/8" Hose x 3/4" Hose Press Fitting 2 1/2" Long</p>	 <p>2628 5/8" Hose x 3/8" Male Pipe Short Restricted 90° Elbow with Extension</p>	 <p>2630 1" Hose x 1/2" Male Pipe Short Hex Base</p>	 <p>2631 5/8" Hose x 1/2" Male Pipe 90° elbow; Hex Base</p>	

Heater Hose Fittings (continued)				
 <p>2632 3/4" Hose x 3/8" Male Pipe Hex Base</p>	 <p>2633 5/8" Hose x 1/2" Male Pipe 45° Elbow</p>	 <p>2634 1/2" Hose x 3/8" Male Pipe Slotted Head</p>	 <p>2635 5/8" Hose Run 3/8" Female Pipe Thrd-Tee</p>	 <p>2636 5/8" Hose Run 1/4" Branch Tee</p>
 <p>2637 5/8" Hose Run 1/2" Branch Tee</p>	 <p>2640 1" I.D. Hose Splicer</p>	 <p>2650 5/8" Hose x 5/8" Hose Connector Straight</p>	 <p>2651 3/4" Hose x 3/4" Hose Connector Straight</p>	 <p>2652 5/8" Hose x 5/8" Hose Connector 90° elbow</p>
 <p>2653 1/2" NPT x 5/8" Hose Connector Straight</p>	 <p>2654 3/4" NPT x 5/8" Hose Connector Straight</p>	 <p>2655 5/8" Hose x 3/4" Hose Step-Up</p>	 <p>2656 5/8" Hose x 3/4" Hose 90° elbow - 3/4" Step-Up</p>	 <p>2657 1/2" NPT x 5/8" Hose 90° elbow - 5/8" Hose End</p>
 <p>2658 3/4" NPT x 5/8" Hose 90° elbow - Hose End</p>	 <p>2659 #8 O'ring x 5/8" Hose 3/4" -16 Thrd. Connector</p>	 <p>2660 5/8" Hose x 5/8" Hose 90° elbow</p>	 <p>2661 3/4" Hose x 3/4" Hose 90° elbow</p>	 <p>2662 #8 O'ring x 5/8" Hose 3/4" -16 Thrd. 90° elbow</p>

HEATER PARTS

HEATER VALVES

Air Operated

IN	OUT	PART#	DESCRIPTION
5/8" Hose	5/8" Hose	2305	
5/8" Hose	5/8" Hose	2306	w/air fitting
5/8" Hose	5/8" Hose	2310	90° elbow
3/4" Hose	3/4" Hose	2315	
1/2" NPT	5/8" Hose	2325	1/2" NPT Female Thread

Cable Controlled - PULL to CLOSE

IN	OUT	PART#	DESCRIPTION
1/2" NPT	5/8" Hose	2212	KW K295-118
1/2" NPT	5/8" Hose	2219	automotive type
1/2" NPT	3/4" Hose	2239	498574C1, MA1455
3/4" Hose	5/8" Hose	2273	MA1335
5/8" Hose	5/8" Hose	2211	RD5-5300-0
5/8" Hose	5/8" Hose	2218	90° elbow; Kysor 173093
5/8" Hose	5/8" Hose	2224	Kysor 173096
5/8" Hose	5/8" Hose	2252	MA1040
5/8" Hose	5/8" Hose	2254	KW 866730
5/8" Hose	5/8" Hose	2256	90° elbow; KW 865850; 173209
5/8" Hose	5/8" Hose	2270	bi-directional 90° elbow
5/8" Hose	5/8" Hose	2242	90° elbow; 474072C4, MA1355
5/8" Hose	to core	2248	mounts to core; MA1110

Cable Controlled - with FLOW RESTRICTOR

IN	OUT	PART#	DESCRIPTION
5/8" Hose	5/8" Hose	2280	Pull to Close; RD5-7760-1
5/8" Hose	5/8" Hose	2283	Pull to Close; RD5-7760-0
5/8" Hose	5/8" Hose	2281	Pull to Open; RD5-7760-2
5/8" Hose	5/8" Hose	2282	Pull to Open:RD5-7760-3
5/8" Hose	5/8" Hose	2284	Pull to Open; RD5-8083-0

Cable Controlled - UNIVERSAL TYPE

IN	OUT	PART#	DESCRIPTION
5/8" Hose	5/8" Hose	2104	Pull to Open
5/8" Hose	5/8" Hose	2105	Pull to Open
3/4" Hose	3/4" Hose	2107	Pull to Open
5/8" Hose	5/8" Hose	2106	Pull to Close
3/4" Hose	3/4" Hose	2108	Pull to Close

Vacuum Controlled

IN	OUT	PART#	DESCRIPTION
5/8" Hose	5/8" Hose	2341	Ford D4AZ-18495A; YG136
5/8" (2)	3/4" (2)	2342	GM 14044414; 15302

Electric Operated

DESCRIPTION	PART#	NOTE
electric heater valve actuator	2370	"Red" Long Life
5/8" hose end - electronic actuator	2371	Volvo; 868580BSM
heater valve assm.	2372	Peterbilt 868708
12V heater valve w/elec solenoid	2374	RedDot units
5/8" Hose x 5/8" Hose	2375	Frtlnr A22-44553-000
solenoid actuated	2376	Volvo 3446692
"E" label actuator	2378	P93CAB0200-01S
"C" label actuator	2379	P93CAB0201-01S
"D" label actuator	2380	P93CAA0200-01S
12V water pump w/moisture sensor	2844	RedDot R9715-0 Units




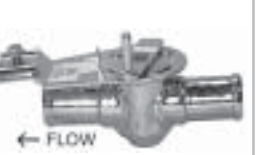

Cable Controlled - PULL to OPEN

IN	OUT	PART#	DESCRIPTION
3/8" NPT	5/8" Hose	2237	Kysor 173083
3/8" NPT	5/8" Hose	2250	MA1095
1/2" NPT	3/4" Hose	2233	Peterbilt 18-01129
3/4" Hose	5/8" Hose	2240	Kysor 173145
3/4" Hose	5/8" Hose	2272	bi-directional 90° elbow
5/8" Hose	5/8" Hose	2229	Ford D0HZ-18495A
5/8" Hose	5/8" Hose	2210	RD5-5300-1
5/8" Hose	5/8" Hose	2214	Kysor 173144
5/8" Hose	5/8" Hose	2217	Kysor 173112
5/8" Hose	5/8" Hose	2223	Kysor 173090
5/8" Hose	5/8" Hose	2226	Kysor 173114
5/8" Hose	5/8" Hose	2227	Kysor 173101
5/8" Hose	5/8" Hose	2238	Kysor 173089
5/8" Hose	5/8" Hose	2247	MA1340
5/8" Hose	5/8" Hose	2251	MA1480
5/8" Hose	5/8" Hose	2260	A22-44463-001
5/8" Hose	5/8" Hose	2271	Bi-directional 90° elbow
5/8" Hose	3/4" Hose	2225	Kysor 173119
5/8" Hose	to core	2249	Mounts to core; MA1365













Manual Heater Shutoff (Gate Type)

DESCRIPTION	PART#
3/8" NPT Male 3/8" NPT Female	2403
1/2" NPT Male 1/2" NPT Female	2405
3/8" Hose 3/8" NPT Female	2427
5/8" Hose 3/8" NPT Female	2426
3/4" Hose 3/8" NPT Female	2429
5/8" Hose 3/8" NPT Male	2457
3/4" Hose 1/2" NPT Female	2428
5/8" Hose 1/2" NPT Female	2430
5/8" Hose 5/8" Hose	2455
3/4" Hose 3/4" Hose	2456

Cable Controlled Heater Valves - UNIVERSAL TYPE

				
2104 UNIVERSAL Pull to Open 5/8" x 5/8"	2105 UNIVERSAL Pull to Open 5/8" x 5/8"	2106 UNIVERSAL Pull to Close 5/8" x 5/8"	2107 UNIVERSAL Pull to Open 3/4" x 3/4"	2108 UNIVERSAL Pull to Close 3/4" x 3/4"

Cable Controlled Heater Valves Listed in ascending order by our part number.

			
2210 5/8" to 5/8" Pull to Open RD5-5300-1	2211 5/8" to 5/8" Pull to Close RD5-5300-0	2212 1/2" NPT to 5/8" Pull to Close KW K295-118	2214 5/8" to 5/8" Pull to Open Kysor 173144
			
2217 5/8" to 5/8" Pull to Open Kysor 173112	2218 5/8" to 5/8" Pull to Close 90° elbow; Kysor 173093	2219 1/2" NPT to 5/8" Pull to Close Automotive type	2223 5/8" to 5/8" Pull to Open Kysor 173090
			
2224 5/8" to 5/8" Pull to Close Kysor 173096	2225 5/8" to 3/4" Pull to Open Kysor 173119	2226 5/8" to 5/8" Pull to Open Kysor 173114	2227 5/8" to 5/8" Pull to Open Kysor 173101

HEATER VALVES

HEATER PARTS

Cable Controlled Heater Valves (continued)



2229
Ford D0HZ18495A
5/8" Hose to 5/8" Hose
Pull to open



2237
3/8" NPT to 5/8"
Pull to Open
Kysor 173083



2238
5/8" to 5/8"
Pull to Open
Kysor 173089



2239
1/2" NPT to 3/4"
Pull to Close
498574C1; MA1455



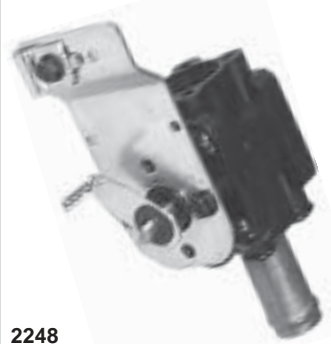
2240
3/4" to 5/8"
Pull to Open
Kysor 173145



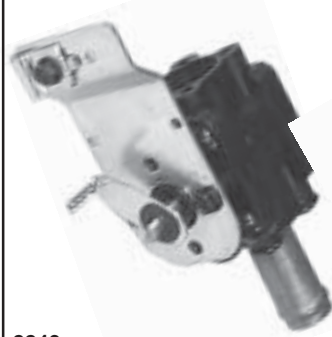
2242
5/8" to 5/8"
Pull to Close
90° elbow; MA1355



2247
5/8" to 5/8"
Pull to Open
MA1340



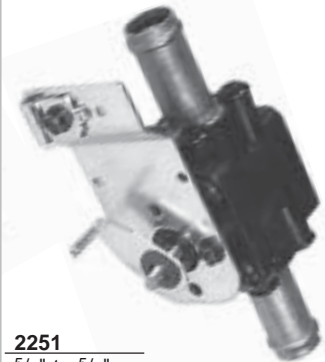
2248
5/8" to Core Mount
Pull to Close
MA1110



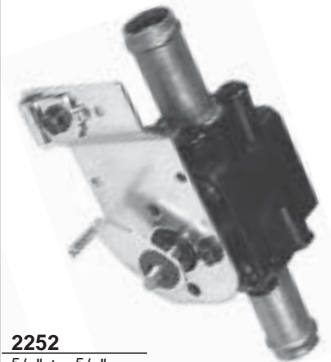
2249
5/8" to Core Mount
Pull to Open
MA1365



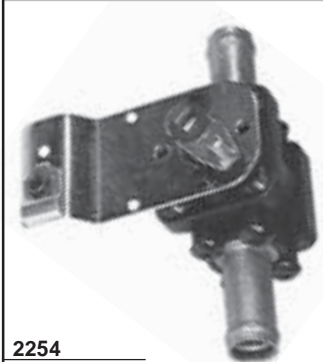
2250
3/8" NPT to 5/8"
Pull to Open
MA1095



2251
5/8" to 5/8"
Pull to Open
MA1480



2252
5/8" to 5/8"
Pull to Close
MA1040



2254
5/8" to 5/8"
Pull to Close
KW866730



2256
5/8" to 5/8"
Pull to Close
90° elbow; KW865850;173209








2260
5/8" to 5/8"
Pull to Open
A22-44463-001








2261
Cable Operated
Volvo 3946691

Cable Controlled Heater Valves (continued)

 <p>2262 Heater Valve Regulator Volvo 3946690</p>	 <p>2270 5/8" to 5/8" Pull to Close Bi-directional 90° elbow</p>	 <p>2271 5/8" to 5/8" Pull to Open Bi-directional 90° elbow</p>	 <p>2272 3/4" to 5/8" Pull to Open Bi-directional</p>
 <p>2273 3/4" to 5/8" Pull to Close MA1335</p>			






Cable Controlled Heater Valves with FLOW RESTRICTOR

 <p>FLOW</p> <p>2280 5/8" to 5/8" Pull to Close RD5-7760-1</p>	 <p>FLOW</p> <p>2281 5/8" to 5/8" Pull to Open RD5-7760-2</p>	 <p>FLOW</p> <p>2282 5/8" to 5/8" Pull to Open RD5-7760-3</p>	 <p>FLOW</p> <p>2283 5/8" to 5/8" Pull to Close RD5-7760-0</p>	 <p>FLOW</p> <p>2284 5/8" to 5/8" Pull to Open RD5-8083-0</p>
--	---	---	---	---

HEATER VALVES

HEATER PARTS






Air Operated Heater Valves

 <p>2305 5/8" to 5/8"</p>	 <p>2306 5/8" to 5/8" with air fitting</p>	 <p>2310 5/8" to 5/8" 90° elbow</p>	 <p>2315 3/4" to 3/4"</p>	 <p>2325 1/2" NPT to 5/8" 1/2" NPT female thread</p>
--	--	---	--	--

Electric Operated Heater Valves

 <p>2370 Electric heater valve actuator "Red" Long Life</p>	 <p>2371 5/8" hose end - actuator Volvo; 868580BSM</p>	 <p>2372 Electric Heater Valve Assembly Peterbilt 868708BSM</p>	 <p>2374 Water Valve w/Electric Solenoid 5/8" hose 12 volt Red Dot units</p>
 <p>2375 3/4" to 3/4" Freightliner A22-44553-000</p> <p>FLOW → THREADED ↑ FLOW</p>	 <p>2376 Solenoid Actuated Volvo 3446692; VN Series</p>	 <p>2378 Peterbilt oe# P93CAB0200-01S Electric Heater Valve Actuator E-Label (Yellow)</p>	 <p>2379 Peterbilt oe# P93CAB0201-01S Electric Heater Valve Actuator C-Label (Red)</p>
 <p>2380 Peterbilt oe# P93CAA0200-01S Electric Heater Valve Actuator D-Label (Red)</p>	 <p>2382 M2 Bus. Class VCC32000022</p>	 <p>2844 Electric Water Pump w/Moisture Sensor; 12 volt RedDot R9715-0 Units</p>	

Manual Heater Shutoff (Gate Type)

 <p>2403 3/8" NPT Male to 3/8" NPT Female</p>	 <p>LIMITED AVAILABILITY</p> <p>2405 1/2" NPT Male to 1/2" NPT Female Ford L-Series O.E. F0HZ-18495A</p>	 <p>2426 5/8" to 3/8" NPT Male 2427 3/8" to 3/8" NPT Male 2428 3/4" to 1/2" NPT Male 2429 3/4" to 3/8" NPT Male 2430 5/8" to 1/2" NPT Male</p>
 <p>2455 5/8" hose to 5/8" hose 2456 3/4" hose to 3/4" hose</p>	 <p>2457 5/8" hose to 3/8" NPT Male</p>	

HEATER PARTS

Vacuum Controlled Heater Valve

 <p>2341 5/8" Hose to 5/8" Hose Ford D4AZ-18495A; YG136</p>

Pressure Relief Valve Kit

 <p>2595 Pressure Relief Valve Kit Includes Relief Valve, Hose Splicers and Clamps, Silicone Hose</p>

HEATER CABLES

Control Cables



LOOP
"A"



PUSH/PULL KNOB
"B"



LOOP w/MOUNT
"C"



ANGLE HOOK
"D"

LENGTH	PART#	CABLE CABLE		
		TYPE	TYPE	DESCRIPTION
41"	2540	A	A	Loop end to loop end
44"	2541	A	A	Loop end to loop end
46"	2531	A	A	Loop end to loop end
46"	2537	A	A	Loop end to loop end
48"	2532	A	C	Loop end to Loop with mount
76"	2535	A	D	Loop end to Angle Hook end
38"	2534	B	A	Push/Pull Knob to Loop end
76"	2530	B	A	Push/Pull Knob to Loop end
29"	2533	D	A	Angle Hook end to loop end
36"	2536	D	A	Angle Hook end to loop end
46"	2539	D	A	Angle Hook end to loop end
86"	2538	D	A	Angle Hook end to loop end

















HEATER PARTS

Pull Cable Control





2529
Water Cable Control Assembly
Does not include knob

HOSE & ACCESSORIES

Drain Hose Fittings																													
																													
8530 1/2" Hose x 1/2" Hose Drain Hose Fitting - 90° Elbow	8531 In-line T-Splicer (Plastic) 1/2" x 1/2" x 1/2"	8532 Duck Bill 5/8" hole size	8533 Check Valve 1/2" Hose Plastic																										
Duct Hose Fittings																													
																													
8550 Step-Up Splicer Connects 2 1/2" hose to 3" hose	8551 Step-Up Splicer Connects 2" hose to 2 1/2" hose	8555 T-Splicer For 2 1/2" duct hose	8557 T-Splicer with Shut-Off Door 2 1/2" hose Pull lever to shut-off air flow																										
Hose Mounting Grommets (used when routing hose through bulkheads or firewalls)																													
																													
8540 Dual Hose Grommet #6-#8 & #10-#12 3" Diameter Fits 2" hole	8541 Multi-size Hose Grommet 4" Diameter Hole opens to 3"	8542 Flush Mount Grommet 2 1/8" Diameter	8543 Mount Grommet Fits 2" hole for #6 thru #10	8544 Mount Grommet Fits #6 thru #12																									
Hose Mount Clamps		Hose Clamps		Hose Cutter																									
																													
<table border="1"> <thead> <tr> <th>Hose Size</th> <th>I.D.</th> <th>PART#</th> </tr> </thead> <tbody> <tr> <td>#6 Single Clamp</td> <td>3/4" dia.</td> <td>4101</td> </tr> <tr> <td>#8 Single Clamp</td> <td>29/32" dia.</td> <td>4102</td> </tr> <tr> <td>#10 Single Clamp</td> <td>1" dia.</td> <td>4103</td> </tr> <tr> <td>Double Clamp</td> <td></td> <td>4104</td> </tr> </tbody> </table>	Hose Size	I.D.	PART#	#6 Single Clamp	3/4" dia.	4101	#8 Single Clamp	29/32" dia.	4102	#10 Single Clamp	1" dia.	4103	Double Clamp		4104		<table border="1"> <thead> <tr> <th>Hose Size</th> <th>I.D.</th> <th>PART#</th> </tr> </thead> <tbody> <tr> <td>#6 - #8</td> <td>5/16" - 13/32"</td> <td>4106</td> </tr> <tr> <td>#10 - #12</td> <td>1/2" - 5/8"</td> <td>4110</td> </tr> </tbody> </table>	Hose Size	I.D.	PART#	#6 - #8	5/16" - 13/32"	4106	#10 - #12	1/2" - 5/8"	4110		8730 Handi-Cut A/C Hose Cutter Makes quick clean cuts. Cuts R12, R134a, barrier and non-barrier hoses up to 1 1/2" OD. 8731 - Replacement Blade	
Hose Size	I.D.	PART#																											
#6 Single Clamp	3/4" dia.	4101																											
#8 Single Clamp	29/32" dia.	4102																											
#10 Single Clamp	1" dia.	4103																											
Double Clamp		4104																											
Hose Size	I.D.	PART#																											
#6 - #8	5/16" - 13/32"	4106																											
#10 - #12	1/2" - 5/8"	4110																											

HEATER PARTS

HOSE

Duct Hose	Evaporator Drain Hose	Heater Hose - Parker																																				
 <table border="1"> <thead> <tr> <th>Diameter</th> <th>PART#</th> <th></th> </tr> </thead> <tbody> <tr> <td>2"</td> <td>8520</td> <td>9 ft.</td> </tr> <tr> <td>2 1/2"</td> <td>8521</td> <td>9 ft.</td> </tr> <tr> <td>3"</td> <td>8522</td> <td>9 ft.</td> </tr> <tr> <td>3 1/2"</td> <td>8523</td> <td>9 ft.</td> </tr> <tr> <td>4"</td> <td>8524</td> <td>9 ft.</td> </tr> <tr> <td>5"</td> <td>8526</td> <td>9 ft.</td> </tr> </tbody> </table>	Diameter	PART#		2"	8520	9 ft.	2 1/2"	8521	9 ft.	3"	8522	9 ft.	3 1/2"	8523	9 ft.	4"	8524	9 ft.	5"	8526	9 ft.	 <table border="1"> <thead> <tr> <th>Diameter</th> <th>PART #</th> <th></th> </tr> </thead> <tbody> <tr> <td>7/16"</td> <td>8528</td> <td>10 ft.</td> </tr> </tbody> </table>	Diameter	PART #		7/16"	8528	10 ft.	 <table border="1"> <thead> <tr> <th>Size</th> <th>PART #</th> <th></th> </tr> </thead> <tbody> <tr> <td>5/8"</td> <td>8800</td> <td>50 ft.</td> </tr> <tr> <td>5/8"</td> <td>8802</td> <td>500 ft.</td> </tr> </tbody> </table>	Size	PART #		5/8"	8800	50 ft.	5/8"	8802	500 ft.
Diameter	PART#																																					
2"	8520	9 ft.																																				
2 1/2"	8521	9 ft.																																				
3"	8522	9 ft.																																				
3 1/2"	8523	9 ft.																																				
4"	8524	9 ft.																																				
5"	8526	9 ft.																																				
Diameter	PART #																																					
7/16"	8528	10 ft.																																				
Size	PART #																																					
5/8"	8800	50 ft.																																				
5/8"	8802	500 ft.																																				

HEATER PARTS

ADD-ON A/C HOSE INSTALLATION KITS

FOR UNITS WITH RADIATOR OR REMOTE MOUNTED CONDENSER

Part No.	Hose Length & Size	Includes
9850	18 ft., #6 & #10, 6 ft., #8 (with Atco type fittings)	All fittings with R134a service ports, high and Low pressure switches, drier and Mounting basket, Assortment of hose ties and Rubber clamps.
9850EZ	(with EZ Clip type fittings)	Same as above with EZ Clip pliers



FOR ROOF UNITS ONLY

Part No.	Hose Length & Size	Includes
9855	20 ft., #8 & #10 (with Atco type fittings)	Fittings (with R134a Service Ports)
9855EZ	(with EZ Clip type fittings)	Same as above with EZ Clip pliers



HOSE

AeroQuip E-Z Clip Refrigerant Hose GH134 SERIES

See page 337 for E-Z Clip Fittings.



Size	I.D.	O.D.	PART #	PART #
#6	5/16"	9/16"	8576 50 ft. Roll	8676 560 ft. Reel
#8	13/32"	11/16"	8578 50 ft. Roll	8678 575 ft. Reel
#10	1/2"	25/32"	8570 50 ft. Roll	8670 550 ft. Reel
#12	5/8"	63/64"	8572 50 ft. Roll	8672 367 ft. Reel

E-Z Clip Fittings work exclusively with Aeroquip GH 134 Series Refrigerant Hose Only.

HOSE

Goodyear 4826 Refrigerant Hose

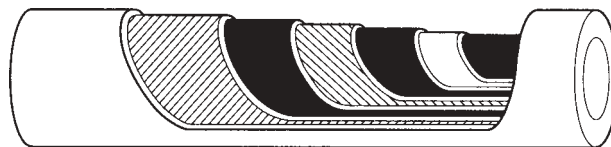
See page 322 for BeadLock Fittings.

REDUCED OZONE PERMEATION

Internal Nylon Barrier hose is specifically designed to reduce the permeation level of ozone depleting refrigerant and chemicals in heavy duty air conditioning systems.

UNIVERSAL COMPATIBILITY

Extensive testing has shown Barrier Hose to be compatible with R-12 and R-134a.



Size	I.D.	O.D.	PART #	PART #	PART #	
#6	5/16"	3/4"	8506	50 ft.	8620 250 ft.	8606 825 ft. Reel
#8	13/32"	29/32"	8508	50 ft.	8621 250 ft.	8608 725 ft. Reel
#10	1/2"	1"	8510	50 ft.	8622 250 ft.	8610 700 ft. Reel
#12	5/8"	1 1/8"	8512	50 ft.	8623 250 ft.	8612 525 ft. Reel

NOTE: FOR USE WITH PUSH-ON OR BEAD LOCK (BUBBLE CRIMP) TYPE FITTINGS ONLY!!

Goodyear 4860 Refrigerant Hose Reduced Diameter

See page 332 for Reduced Diameter Fittings.



Reduced barrier hose has thinner-wall construction that offers improved flexibility and reduced weight without sacrificing permeation resistance and burst strength.

Size	I.D.	O.D.	PART #	PART #	
#6	5/16"	39/64"	8514	50 ft. Roll	8614 450-550 ft. Reel
#8	13/32"	45/64"	8515	50 ft. Roll	8615 450-550 ft. Reel
#10	1/2"	25/32"	8516	50 ft. Roll	8616 450-550 ft. Reel
#12	5/8"	61/64"	8517	50 ft. Roll	8617 450-550 ft. Reel

Parker/Futura™ Refrigerant Hose

See page 322 for BeadLock Fittings.

- For mobile R12 and R143a systems
- Meets or exceeds all SAE J2064 performance requirements



Size	I.D.	O.D.	PART #	PART #	
#6	5/16"	3/4"	8556	50 ft. Roll	8656 600 ft. Reel
#8	13/32"	29/32"	8558	50 ft. Roll	8658 600 ft. Reel
#10	1/2"	1"	8560	50 ft. Roll	8660 500 ft. Reel
#12	5/8"	1 1/8"	8562	50 ft. Roll	8662 400 ft. Reel

Parker/Guardian Barrier™ Refrigerant Hose Reduced Diameter

See page 322 for BeadLock Fittings.

- Kink resistance and excellent flexibility
- Improved resistance to vibration
- Noise dampening capabilities
- RP = new reduced permeation



Size	I.D.	O.D.	PART #	PART #	Bend Radius
#6	5/16"	.580"	8586	50 ft. Roll	8686 Reel 2.32"
#8	13/32"	.680"	8588	50 ft. Roll	8688 Reel 2.72"
#10	1/2"	.765"	8590	50 ft. Roll	8690 Reel 3.00"
#12	5/8"	.930"	8592	50 ft. Roll	8692 Reel 3.72"